



EN

Installation, operation and maintenance manual for duct heaters (HVAC)
For installation in non-hazardous areas

DE

Installations-, Betriebs- und Wartungshandbuch für Heizlüfter (HVAC)
Zur Installation im sicheren Bereich

NL

Installatie, bediening en onderhoud handleiding voor Kanaal-verwarmers (HVAC)
Voor installatie in niet-gevaarlijke gebieden

FI

Kanavalämmittimien (LVI) asennus-, käyttö- ja huolto-ohje
Asennettava vaarattomille alueille

**EFF, EFI, EFFS, EFFL, EFIL, EFFLI,
EFILI, EFR, EFRS, EFRSL**

All rights reserved. Reproduction or issue to third parties of this manual or part of it in any form is not permitted without prior written authorisation of the proprietor.

Alle Rechte vorbehalten. Die Weitergabe sowie Vervielfältigung in jeglicher Art und Form - auch auszugsweise - des Inhaltes dieses Handbuches ist ohne die vorherige schriftliche Genehmigung durch den Eigentümer nicht zulässig.

Alle rechten voorbehouden. Reproductie of verstrekking aan derden van deze handleiding of een gedeelte daarvan, in welke vorm dan ook, is niet toegestaan zonder voorafgaande schriftelijke toestemming van de rechthebbende.

Kaikki oikeudet pidätetään. Tätä käyttöohjetta tai sen osia ei saa kopioida tai luovuttaa kolmansille osapuolille missään muodossa ilman oikeuksien haltijan kirjallista ennakkolupaa.

ENGLISH

Safety information	5
Disclaimer	6
List of abbreviations	7
1.0 Introduction	8
2.0 Description of product	8
3.0 Packing	10
3.1 Choice of the Packing Type.....	10
3.2 Wood treatment.....	10
3.3 Pallets.....	10
3.4 Handling	10
3.5 Centre of gravity	10
3.6 Labelling and tagging of equipment / Identification	10
3.7 Shipping marks / labelling	11
4.0 Transportation	12
4.1 HVAC	12
5.0 Storage and preservation	14
5.1 Preservation during the transportation and pre-installation period	14
5.2 Preservation during the installation/construction period	14
5.3 Suggestion for preservation specification & record:	16
6.0 Installation instructions	18
6.1 General	18
6.2 Heater installation.....	18
6.3 Adjusting TSH thermal switch (if present) with auto reset	19
6.4 Test procedure for TSH/TSHH thermal cut-off	19
7.0 Start up	20
7.1 Before energizing the heating elements:	20
7.2 Shutting down the heater:.....	20
8.0 Operating instructions	21
9.0 Maintenance instructions	22
9.1 Maintenance and service plan.....	23
10.0 Trouble shooting	24
11.0 Disposal instructions	25

DEUTSCH	
Sicherheitshinweis	26
Haftungsausschluss	27
Liste der Abkürzungen	28
1.0 Einleitung	29
2.0 Beschreibung des Produktes	30
3.0 Verpackung	31
3.1 Wahl der Verpackungsart.....	31
3.2 Holzbehandlung	31
3.3 Paletten	31
3.4 Handhabung	31
3.5 Schwerpunkt	31
3.6 Etikettierung und Markierung der Geräte / Identifizierung	32
3.7 Versandmarkierungen/ Etikettierung	32
4.0 Transport	33
4.1 HVAC	33
5.0 Lagerung und Konservierung	35
5.1 Konservierung während des Transports und vor der Installation.....	35
5.2 Konservierung während der Installations-/ Bauphase	36
5.3 Vorschlag für Spezifikation und Dokumentation der Konservierung:.....	37
6.0 Montageanleitung	38
6.1 Allgemeines.....	38
6.2 Montage des Kanallufterhitzers	38
6.3 Einstellung des TSH Thermostats (falls vorhanden) mit Auto-Reset.....	39
6.4 Testverfahren TSH/TSHH thermische Abschaltung	39
7.0 Inbetriebnahme	40
7.1 Vor Einschalten des Kanallufterhitzers	40
7.2 Abschalten des Kanallufterhitzers	40
8.0 Betriebsanweisungen	41
9.0 Wartung	42
9.1 Wartungs- und Serviceplan	43
10.0 Trouble shooting	44
11.0 Entsorgungsanweisungen	45

NEDERLANDS



Veiligheidsinformatie	46
Disclaimer	47
1.0 Introductie	49
2.0 Omschrijving van product	49
3.0 Verpakking	51
3.1 Keuze van het verpakkingstype	51
3.2 Houtbehandeling	51
3.3 Pallets	51
3.4 Behandeling	51
3.5 Zwaartepunt	51
3.6 Etikettering en labelen van apparatuur/ Identificatie	51
3.7 Verzendmerken/ etikettering	51
4.0 Vervoer	52
4.1 HVAC	52
5.0 Opslag en bewaring	53
5.1 Conservering tijdens de transport- en pre-installatieperiode	53
5.2 Conservering tijdens de installatie/ bouwperiode	53
5.3 Suggestie voor het opslag logboek:	56
6.0 Installatie-instructies	57
6.1 Algemeen	57
6.2 Verwarmer installeren	57
6.3 De TSH-thermoschakelaar (indien aanwezig) met auto-reset aanpassen	58
6.4. Testprocedure TSH/TSHH thermische beveiliging	58
7.0 Opstarten/ Inbedrijfstelling	59
7.1 Voordat de verwarmingselementen van spanning worden voorzien:	59
7.2 De verwarmer uitschakelen:	59
8.0 Gebruiksaanwijzing	60
9.0 Onderhoudsinstructies (interval van 1 jaar)	61
9.1 Onderhoud en serviceplan	62
10.0 Foutopsporing	63
11.0 Instructies voor verwijdering	64

SUOMI

Turvallisuusohjeet	65
Vastuuvapauslauseke	66
Lyhenneluettelo	67
1.0 Johdanto	68
2.0 Tuotteen kuvaus	68
3.0 Pakkaus	70
3.1 Pakkaustyypin valinta	70
3.2 Puuosien käsittely	70
3.3 Kuormalavat	70
3.4 Käsittely	70
3.5 Painopiste	70
3.6 Laitteen etiketit ja tunnistheet / tunnistetiedot	71
3.7 Toimitusmerkinnät / -etiketit	71
4.0 Kuljetus	72
4.1 LVI-laite	72
5.0 Varastointi ja konservointi	73
5.1 Konservointi kuljetuksen ajaksi ja asennusta edeltäväksi ajaksi	73
5.2 Asennuksen/kokoonpanon aikainen konservointi	73
5.3 Konservointimääritykset ja -raportti (mallipohja):	75
6.0 Asennusohjeet	76
6.1 Yleistä	76
6.2 Lämmittimen asennus	76
6.3 Automaattisella katkaisijalla varustetun TSH-lämpösuojakytkimen (jos varusteena) säätö	77
6.4 TSH/TSHH-lämpösuojakytkimen testausmenetelmä	77
7.0 Käynnistys	78
7.1 Ennen lämmitysvastusten virran kytkemistä:	78
7.2 Lämmittimen virran kytkeminen pois päältä	78
8.0 Käyttöohjeet	79
9.0 Huolto-ohjeet	80
9.1 Huolto- ja kunnossapitosuunnitelma	81
10.0 Vianetsintä	82
11.0 Käytöstäpoisto-ohjeet	82

Safety information

To secure your personal safety, as well as prevent damages to property, this manual contains notices you have to observe. The notices refer to your personal safety:


 DANGER	Indicates that death or severe personal injury will result if proper precautions are not taken
 WARNING	With a safety alert symbol, indicates that minor personal injury can result if proper precautions are not taken
CAUTION	Without a safety alert symbol, indicates that property damage can result if proper precautions are not taken
NOTICE	Indicates that an unintended result or situation can occur if the corresponding information is not considered

If more than one degree of danger is present, the warning notice representing the highest degree of danger will be used. A notice warning of injury to persons with a safety symbol may also include a warning relating to property damage.

Qualified Personnel

Only personnel qualified for the specific task in accordance with the relevant documentation for the specific task, in particular its warning notices and safety instructions may operate the product described in this documentation. Qualified personnel are those who, based on their training and experience, can identify risks and avoiding potential hazards when working with these products/systems.

Proper use of JEVI products

 WARNING	Proper transport, storage, installation, assembly, commissioning, operation, and maintenance is required to ensure that the product operates safely and without any problems. The permissible ambient conditions must be adhered to. Observe the information in the relevant documentation.
--	---

Disclaimer

JEVI A/S assumes no responsibility for any additions placed by the customer that can inflict our product. Additions or alterations implemented by the customer are not covered by our warranty.

IMPORTANT: These instructions should be read thoroughly before installation and operation. All warnings and precautions should be observed for both personal safety and for proper equipment performance and longevity. Failure to follow these instructions could result in equipment failure and/or serious injury to personnel.

NB! THIS IOM IS A STANDARD DOCUMENT AND IS NOT PROJECT SPECIFIC.

The English IOM is JEVI's standard version.

List of abbreviations

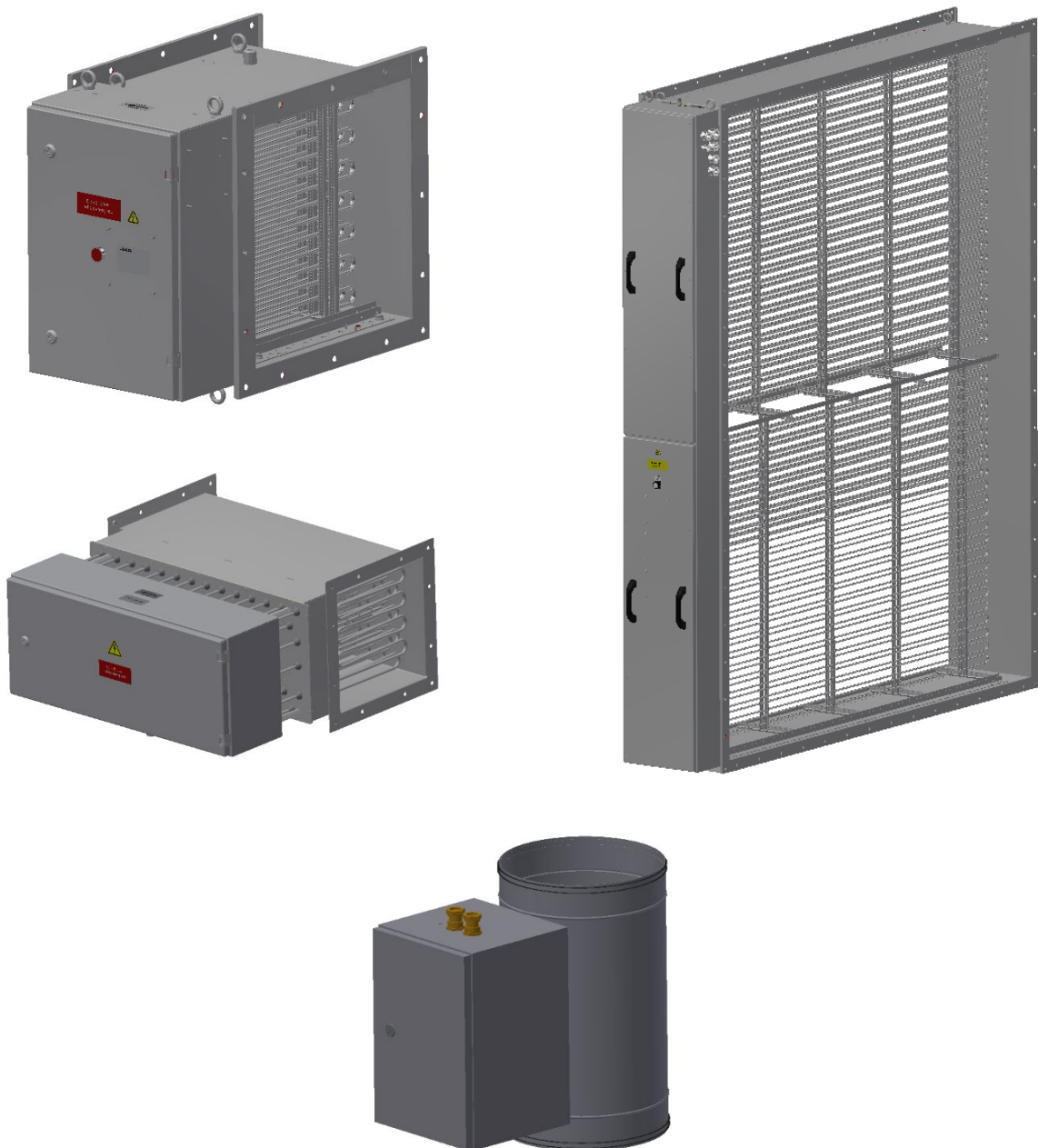
ACBR	Air Cooled Braking Resistor
CoG	Centre of Gravity
EF	Electrical Duct heater
GA	General Arrangement (Drawing)
HVAC	Heating, ventilation, Air Conditioning
IOM	Installation, Operating and Maintenance Manual
JB	Junction Box
VLE	Fan heater with integrated controls for temperature control
VLEx	Fan heater for hazardous areas
WCBR	Water Cooled Braking Resistor
TSH	Temperature Switch High
TSHH	Temperature Switch High High

1.0 Introduction

This manual is valid for varied models of HVAC.

The purpose of this document is to introduce a reader to the installation, operation, and maintenance procedure and most importantly to general safety precautions, which are not necessarily related to any specific part or procedure, and do not necessarily appear elsewhere in the publication. These precautions must be thoroughly understood and applied to in all phases of operation and maintenance.

Descriptions in this manual are generic and not project specific. Pictures may show other equipment and options than in the actual project.



2.0 Description of product

The duct heater is designed to heat air.

Reference is made to the general drawing of this item for the intended use:

Drawing no.:	Refer to equipment drawing GA
Electric supply:	See electrical diagram
Voltage:	See electrical diagram
Ref. number:	Same as order number and item number

The heater consists of an enclosure containing

- electric heating elements
- terminals and/or copper bars mounted on bus bar
- a protective device with manual reset (TSHH) and
- a protective device with automatic reset (TSH)

In case of no airflow the TSH and TSHH will cut off the heater.

Optionally, the equipment mentioned below is mounted in the junction box:

- Temperature transmitter
- Anti-condensation heater

Optionally the heater can be supplied with:

- Thermostat
- Flow switch and
- external control system

see electrical diagram.

3.0 Packing

All packing is in accordance with the specific requirements of the individual purchase order or contract as well as with the regulations of the country of destination.

3.1 Choice of the Packing Type

The choice of the packing type and the requirement of particular protections depend on characteristics of the equipment and material to be packed, its handling requirements and kind of transport chosen.

The packing provides both mechanical and environmental protection.

3.2 Wood treatment

All solid wood, used for packing (including wooden pallets) is treated (heat treatment or fumigation) according to the international standard ISPM 15 (IPPC), latest revision.

As these rules are not the same for all countries, the procedure must meet the demands of a country of final destination.

3.3 Pallets

Equipment is packed on pallets that provide adequate load support during transportation and storage. The pallets have a dynamic load capacity, enough to carry the mass loaded on the pallet.

Where feasible the top surface of the pallet must be flat.

The pallet must be tight on all sides with steel or synthetic straps on each side.

Bolts, clamps, supporting beams, etc. will properly fix all equipment and materials.

Fragile, easily damageable, and loose parts will be pertaining to the equipment securely and properly packed in a separate case.

3.4 Handling

Under no circumstances may the equipment itself be used as a platform for gaining access to installation and construction areas above. If such access is required, suitable scaffolding must be established. The equipment may not be used as a support.

3.5 Centre of gravity

If required, large and heavy equipment are marked with Centre of Gravity (COG).

3.6 Labelling and tagging of equipment / Identification

If no specific identification is required, (see the Purchase Order for the technical specifications) the labelling is in accordance with JEVI standard.

On demand the identification label is in accordance with the final packing list/delivery note.

3.7 Shipping marks / labelling

All packages are marked or labelled in accordance with the data shown in the packing list/delivery note.

4.0 Transportation

The product is packed according to agreement, with indication of COG if required by customer.

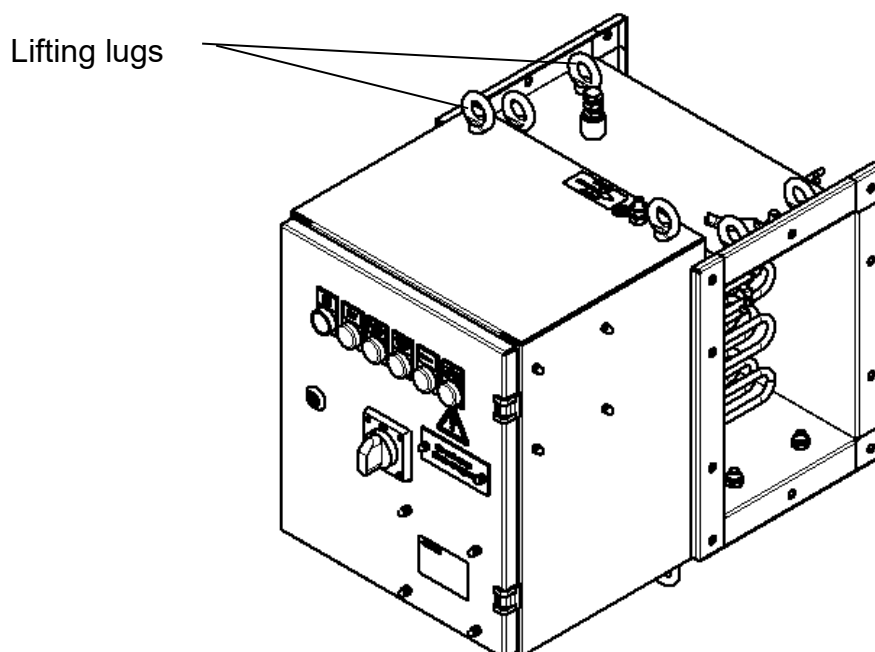
The product is packed on pallets. The packing is easily moved either by forklift or by use of crane handled by authorised personnel.

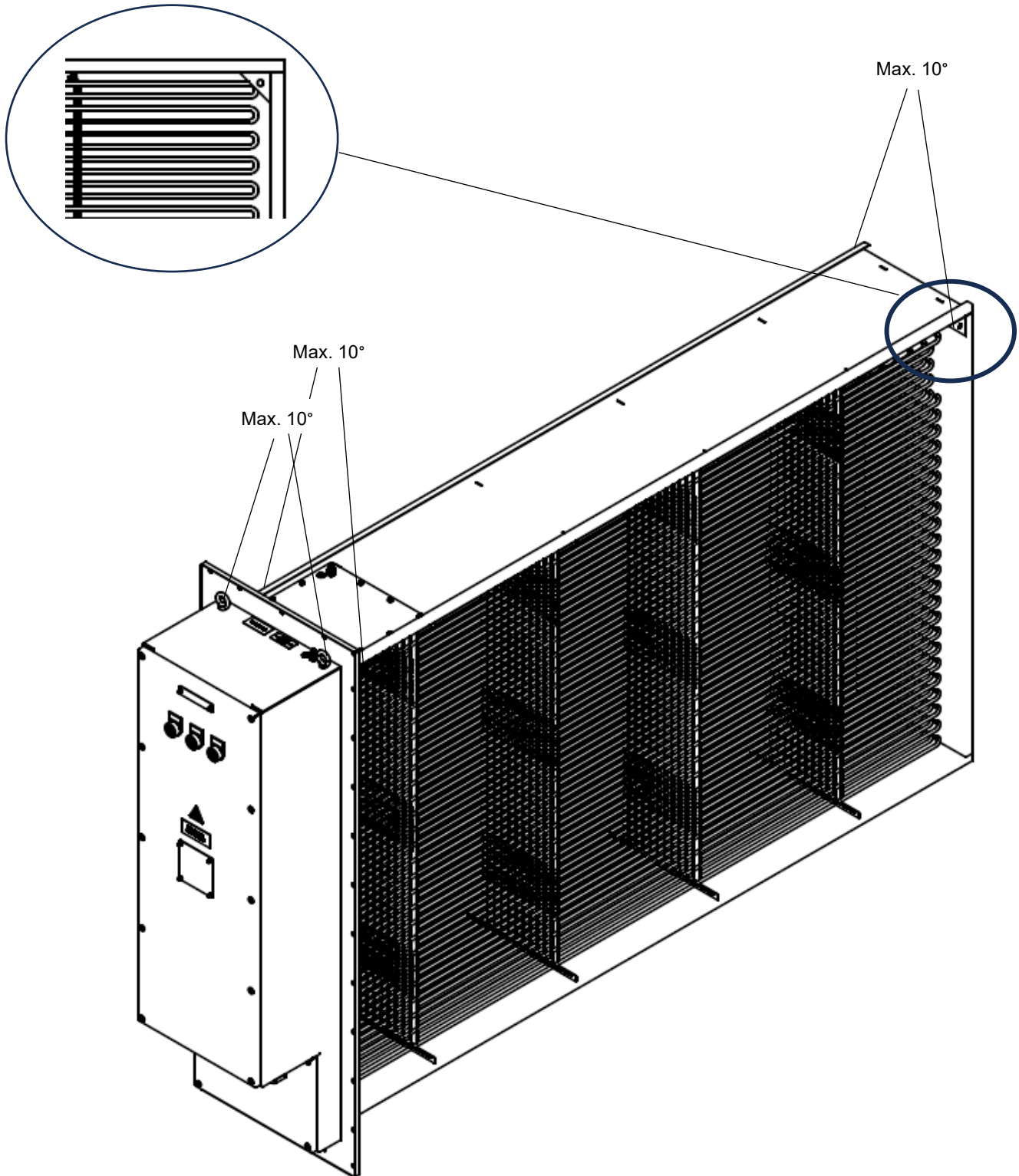
- For lifting lugs, see GA
- For weight, see GA or rating plate
- For COG - if any, see GA

CAUTION	Heating elements must <u>NOT</u> be used for lifting, as this would cause damage on the elements.
	When lifting the unit always use lifting lugs and lifting straps.

4.1 HVAC

All heaters and inserts weighing > 25 kg are supplied with lifting devices.





5.0 Storage and preservation

The purpose of this chapter is to specify how to handle and preserve a product from the day of shipment until the equipment is installed and commissioned.

The following conditions shall be observed during the installation/construction period.

CAUTION	During storage, prior to installation the unit must be stored dry with a relative humidity <60 %, temperature >15°C.
CAUTION	Replace desiccant bag in junction boxes and enclosures (if any) every 6 months. Keep a log of the replacements as documentation.
CAUTION	The Anti condensation heater, if any, must be powered up and always connected.

5.1 Preservation during the transportation and pre-installation period

The packaging provides both mechanical and environmental protection. If the equipment is intended for service in an outdoor environment, to avoid any risk of harmful metallic dust during storage it is protected with enveloping plastic foil. All openings such as cable entry holes are adequately sealed.

Packages must not be opened, or their integrity will be disturbed during the transport. Packing may only be opened when the equipment has been taken from storage and has been transported to its intended location of installation, or to connect the anti-condensation heater, after which the packing must be resealed. Storage preservation measures are immediately invalidated as soon as the packaging is disturbed.

Packages should be inspected on receipt at the storage warehouse and at regular monthly intervals during the storage period regarding external damages. Any visible damage that may have a consequence to the condition of the contents or integrity of the preservation, must be immediately documented and reported. In case of such an event, the supplier must be contacted immediately for advice.

5.2 Preservation during the installation/construction period

The product must be unpacked only when the equipment is to be installed, or to connect the anti-condensation heater. It is recommended to maintain the integrity of the packaging during transport from the storage warehouse to the installation site. Inspect the equipment within each package for damage and condition as soon as the package is opened. Report and document any damage immediately. In case of such an event, the supplier must be contacted immediately for advice.

Installation and handling of the equipment once unpacked must be performed in accordance with the relevant elements of the documentation for the equipment delivered.

Damage caused by bad workmanship or failure to adhere to the installation instructions is not covered by the equipment warranty.

If the equipment is installed in an area where ongoing construction work of a nature that causes airborne pollution or other adverse conditions take place, the equipment must be suitably protected. Under no circumstances can the equipment be placed in the vicinity of any activity, which involves grinding, welding, painting, fireproofing, spraying, etc. without taking necessary precautions to protect it.

When cable termination is completed, a fresh desiccant bag must be placed in the enclosure. The desiccant bag must be replaced every 6 month or until commissioning, has been initiated.

All openings such as cable entry holes must be adequately sealed until the interfacing cables or pipes are installed.

During installation, always keep the equipment in a clean condition. Remove debris from cable installation activities at once. Take precautions to avoid any small pieces of a conductive nature from being left in the termination enclosures.

Under no circumstances may the equipment itself be used as a platform for gaining access to installation and construction areas above. If such access is required then suitable scaffolding must be established, the equipment may not be used as a support.

During installation the equipment must be thoroughly inspected at regular weekly intervals with regards to external damages, cleanliness and internal condition. Report and document immediately if any visible damage or adverse condition occurs. In case of such an event, the supplier must be contacted immediately for advice.

On completion of the installation work the condition of the equipment must be inspected. Report and document any damage immediately if any visible damage. In case of such an event, the supplier must be contacted immediately for advice.

CAUTION	It is extremely important that no debris enters the vessel as this may lead to a blockage of the return or overflow pipes.
----------------	--

5.3 Suggestion for preservation specification and record:

PRESERVATION SPECIFICATION & RECORD								
Record No.:		Tag No.:	Description:				Record page 1 of 1	
Activity No.:	Intervals (Months)	Description of Preservation Activity	Recommended Preservative	Initial Preservation	Date/Sign Preserved (2)	Date/Sign Preserved (3)	Date/Sign Preserved (4)	Date/Sign Preserved (5)
1	1	Check that protection structure is undamaged.						
2	6	The desiccant bag inside the Junction boxes replaced.						
3	1	Check the storage conditions. Relative humidity < = 60 %, temp. > = 15°C						
4	12	If stored for more than one year from packing date, the supplier must be contacted for advice regarding renewal of the desiccant bag.						
5	12	Check the paint-work.						
6	12	Check that there is no visual damage to the equipment.						
7	12	Verify that the general condition of the equipment is satisfactory.						
8	12	All openings such as cable entry holes are adequately sealed. Junction Boxes as well.						
9	12	All loose items/removed parts preserved, stored and marked.						
10	6	Verify no water leakages, condensation or moisture where applicable.						
11	6	The Anti-condensation heater in the equipment must be powered up and connected at all times.						
Comments:								
Performed by: Date/Sign:				Accepted by: Date/Sign:				

Note: *These procedures are considered normal maintenance and are performed at the owner's expense.*

* Depending on the environment, inspection frequency can vary.

6.0 Installation instructions

6.1 General

The user must ensure that his employees are fully trained and supervised in the proper working procedures to ensure their safety. The plant must be maintained in a safe condition.

Ensure that the equipment is correctly installed in a suitable location by technically qualified personnel.

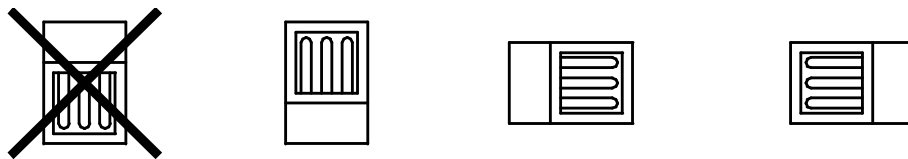
Installation must meet the requirements of EN/IEC 60335-1, EN/IEC 60335-30.

6.2 Heater installation


Before unpacking the equipment ensure that all items are available and that all crates / or packages are in good condition and undamaged. Any damages must be reported to the site manager and subsequently to JEVI A/S.

After removing the packing material, check all items for damage. If any damages; report this to the site manager and subsequently to JEVI A/S.

For installation mounting and sealing materials must be used which are suitable for the medium to be heated and the prevailing temperatures that will occur. Please refer to the GA-drawing for precise data and indications of fitting positions.



1. Open the junction box.
2. Connect the electric power cables to the terminals or bus bar system as indicated on the electrical diagram and connect the earthing provisions on the mounting plate.
3. Connect the protective conductor to the earthing terminal.
4. Follow the instructions provided by the supplier of the cable glands if these are present and/or applicable.
5. Close the cover.

 <p>WARNING</p>	<p>Do not open the junction box when energized.</p>
<p>NOTICE</p>	<ul style="list-style-type: none"> • During non-operation the unit must be stored dry. Relative humidity <60%, temperature >15°C. • If applicable connect and switch on the space heater. • When dismantled it is advisable to place a desiccant bag inside the junction box.

6.3 Adjusting TSH thermal switch (if present) with auto reset

The TSH is adjusted to 80% of maximum.

If an adjustment is needed, load the heater with maximum power and the lowest airflow according to specification.

1. Set the TSH on maximum temperature.
2. Wait until airflow and temperature is constant.
3. Adjust the temperature scale down on the TSH step by step with app 10°C at the time; wait to see if TSH switches off for 10 min. adjust again 10°C continue this procedure until TSH cuts off the heater.
4. Adjust the TSH scale up with 10°C.
5. Test the heater with full load and switch off airflow. TSH must switch off before maximum allowed temperature for heater is reached. The mechanical TSHH is nonadjustable.

6.4 Test procedure for TSH/TSHH thermal cut-off

TSH/TSHH are subject to factory test at JEVI.

In case an additional test of the TSH/TSHH thermal cut-off is required in connection with the commissioning process, the following procedure is recommended:

1. Insert a temperature sensor close to the TSH/TSHH for control of temperature.
2. Warm up the sensors to the set temperature by using a heat gun.

7.0 Start up

Remove desiccant bag from the junction box before starting up.

Before the initial start-up of the heater, the following must be checked:

1. The heater is correctly installed as described in the GA drawing and if necessary, an air leakage test has been performed.
2. The protective conductor (PE) has been connected and, if necessary, the external connection between housing and ground has been effected, e.g. for avoiding electrostatic discharging.
3. The earthing connection is effected and properly secured.
4. The electrical connections are performed in accordance with the relevant regulations and wiring diagram.
5. The heater is properly installed, and all studs and nuts are properly tightened.
6. Electrical connections between control panel and heater are correctly installed e.g. power cable, temperature transmitter.

7.1 Before energizing the heating elements:

1. Check the supply voltage.
Check the control voltage.
Voltages are specified on the wiring diagrams of this equipment.
2. Check whether the monitoring system has been actuated e.g. 'Overheat Protection'.
(PT100 or thermocouple sensor fixed to an element sheath).

7.2 Shutting down the heater:

De-energize the heater before shutting down the flow.

8.0 Operating instructions

Before initial start-up of the heater, it should be checked whether:

1. The heater is properly installed and, if necessary, a leakage test must be conducted.
2. The electrical connection is performed in accordance with the relevant rules and regulations.
3. The protective conductor (PE) has been connected and, if necessary, the external earth connection between housing and ground has been effected, e.g., for avoiding electrostatic discharge.
4. Monitoring systems have been actuated e.g., “Flow Monitoring” and “Overheat Protection”.
5. The medium to be heated, is in accordance with the heater design.

At the cable entries temperatures exceeding 70°C are not admissible.
The minimum temperature rating for all incoming cables is 70°C.


NOTICE	Before switching the heater on, check that the rated process flow is running. The construction materials used are chosen in accordance with the operating conditions specified. Should the heater be operated with other media or temperatures than those specified, warranty expires immediately.
---------------	--

9.0 Maintenance instructions

The one-year service interval only applies if the heater is installed in a dry and clean environment. If installed in an environment, which does not meet these requirements, the service intervals might have to be reduced.

The responsible for the maintenance must ensure that his employees are fully trained and supervised in the proper working procedures to ensure their safety.

1. Check the ceramic insulators on the elements for damage.
2. Check the insulation resistance of the heating elements. Connect the Megger to an earth bolt and one of the phases U1, V1 or W1. If the measured value is less than 2 MΩ, each heating element will have to be checked separately. Minimum value is 2 MΩ-at 1000 V.
3. Cleaning all surfaces.
4. Salt crystals, carbon or calcium layers must be removed from the sheath of the heating elements by means of a non-metal tool, e.g. wood.
5. Ensure terminations are securely connected to the terminals or bus bars. Heating element connections are to be tightened properly.
6. Check the functioning of the space heater in the junction box (if there is one incorporated). The space heater is fitted with an integrated thermostat situated inside the connection cable, which is factory set to frost guard temperatures. The space heater is maintenance free. If the heater does not function; it will have to be replaced.

NOTICE	<p>If the insulation resistance has changed as a result of improper or prolonged storage, it is recommended:</p> <p>a) To open the junction box in a dry area and let the element-connections dry-out using a hot air blower. (Note: air < 80°C).</p> <p>b) Run the heater at a lower voltage until all moisture is evaporated and the insulation resistance has reached its desired value.</p>
 WARNING	<p>Handling of the equipment must meet the requirements of DS/EN 50110-1:2013 (electrical safety).</p>

9.1 Maintenance and service plan

- Check or clean
- Spare/replacements parts

System	Item	Periodic maintenance interval			
		Weekly (first 4 weeks)	Every 6 months	Every 12 months	Every 36 months
Whole	Visual inspection of the exterior	○			
	Tightening all major bolts and nuts	○			
	Change desiccant bag in the storage period.		●		
	Cleaning interior and exterior with compressed air		○		
Electrical system	Measurement of Ohm values according to test record (max deviation 10%)			○	
	Checking the wiring connections			○	
	Measurement of voltage on condense heater			○	
	Measurement of insulation resistance <3 m Ohm at 1000 VDC			○	

Note: These procedures are considered normal maintenance and are performed at the owner's expense.

* Depending on the environment, inspection frequency can vary.

10.0 Trouble shooting

Disconnect all power sources prior to any inspection, service, or cleaning. Hazard for electric shock exists while the equipment is connected.

For maintenance requiring repair or replacement of components, contact the factory immediately for further instruction. Only the failures within the scope of normal maintenance are listed below. If a problem is not listed or it is not eliminated by listed corrective measures, immediately contact JEVI A/S for assistance.



Problem	Possible cause	Possible correction
Heater/resistor failure	Loose bus bar Heater/resistor element burned out	Tighten failed resistor bank Disconnect element and use spare
Temperature switch trip	Heater/resistor over temperature	Ensure air intake and exhaust are clear of foreign particles or blockage. Check fan operation
Pressure differential trip	Loose connections Intake obstruction	Check all connections Remove and clean

11.0 Disposal instructions

Equipment containing electrical components shall not be disposed of together with domestic waste. Collect separately with other electrical and electronic waste, according to local legislation.

Sicherheitshinweis

Das vorliegende Handbuch enthält Hinweise, die Sie befolgen müssen, um Ihre persönliche Sicherheit zu garantieren und um Schaden an Eigentum (Sachschäden) zu verhindern.


 GEFAHR	Bedeutet, dass Tod oder schwere Körperverletzung eintreten, wenn die entsprechenden Vorsichtsmaßnahmen nicht getroffen werden.
 WARNHINWEIS	Mit Warndreieck bedeutet, dass leichte Körperverletzungen eintreten können, wenn die entsprechenden Vorsichtsmaßnahmen nicht getroffen werden.
ACHTUNG	(Ohne Warndreieck) Bedeutet, dass Sachschaden eintreten kann, wenn die entsprechenden Vorsichtsmaßnahmen nicht getroffen werden.
HINWEIS	Bedeutet, dass unerwünschte Ergebnisse oder Zustände eintreten können, wenn der entsprechende Hinweis nicht beachtet wird

Sollte mehr als eine Gefahrenart vorhanden sein, so wird der Warnhinweis mit dem höchsten Gefahrengrad verwendet. Ein Hinweis mit Sicherheitssymbol bezüglich der Verletzungsgefahr für Personen kann auch eine Warnung bezüglich Sachschäden beinhalten.

Qualifiziertes Personal

Das in der vorliegenden Dokumentation beschriebene Produkt darf ausschließlich von Personen bedient werden, die entsprechend der relevanten Dokumentation für diese spezifische Aufgabe geschult sind, insbesondere im Hinblick auf die Warnhinweise und Sicherheitsanweisungen. Qualifiziertes Personal ist Personal, welches aufgrund seiner Ausbildung und seiner Erfahrung in der Lage ist, bei der Arbeit mit diesen Produkten/ Systemen Risiken zu identifizieren und potenzielle Gefahren zu vermeiden.

Korrektter Einsatz von JEVI-Produkten

 WARNHINWEIS	Sachgemäßer Transport sowie fachgerechte Lagerung, Aufstellung, Montage, Inbetriebnahme und Wartung sind erforderlich, um sicherzustellen, dass das Produkt sicher und problemlos arbeitet. Die zulässigen Umgebungsbedingungen und die Informationen in der relevanten Dokumentation müssen beachtet werden.
--	---

Haftungsausschluss

JEVI A/S übernimmt keine Verantwortung für vom Kunden platzierte Ergänzungen, die in irgendeiner Form einen Einfluss auf unser Produkt haben können. Vom Kunden vorgenommene Ergänzungen oder Änderungen sind nicht durch unsere Garantie abgedeckt.

WICHTIG: Diese Anweisungen müssen vor Installation und Betrieb gründlich gelesen werden. Alle Warnungen und Vorsichtsmaßnahmen sollten beachtet werden, um sowohl die persönliche Sicherheit als auch die ordnungsgemäße Leistung und Langlebigkeit der Geräte sicherzustellen. Die Nichtbeachtung dieser Anweisungen kann zum Versagen des Geräts und/oder zu schweren Verletzungen des Personals führen.

WICHTIG! BEI DIESEM INSTALLATIONS-, BETRIEBS- UND WARTUNGSHANDBUCH (IOM) HANDELT ES SICH UM EIN STANDARD-DOKUMENT. ES IST NICHT PROJEKT-SPEZIFISCH.

Die englischsprachige Version ist die Standardversion des Installations-, Betriebs- und Wartungshandbuches.

Liste der Abkürzungen

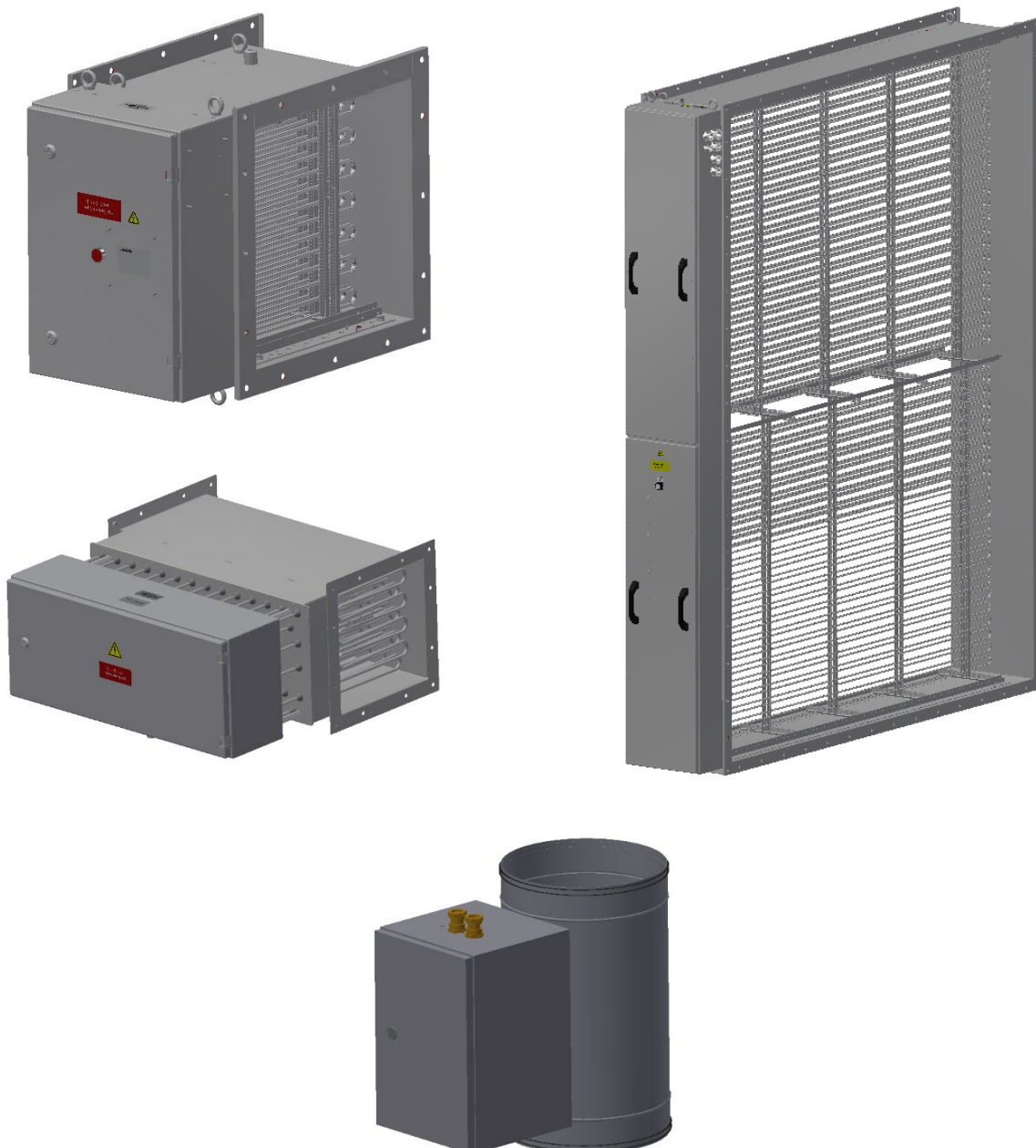
ACBR	Air Cooled Braking Resistor	Luftgekühlter Bremswiderstand
CoG	Centre of Gravity	Schwerpunkt
EF	Electrical Duct heater	Elektrisches Kanalheizregister
GA	General Arrangement (Drawing)	Gesamtzeichnung
HVAC	Heating, ventilation, Air Conditioning	Heizung, Lüftung und Klimatisierung
IOM	Installation, Operating and Maintenance Manual	Montage- Betriebs- und Wartungshandbuch
JB	Junction Box	Anschlusskasten
VLE	Fan heater with integrated controls for temperature control	Heizlüfter mit integrierter Steuerung für die Temperaturregelung
VLEx	Fan heater for hazardous areas	Explosiongeschützter Heizlüfter
WCBR	Water Cooled Braking Resistor	Wassergekühlter Bremswiderstand
TSH	Temperature Switch High	Temperaturüberwachungsthermostat
TSHH	Temperature Switch High High	Temperaturbegrenzer

1.0 Einleitung

Dieses Handbuch gilt für verschiedene Heizregistermodelle für HVAC-Systeme.

Zweck dieses Dokuments ist es, den Leser in die Installation, den Betrieb und die Wartung von Heizregistermodellen für HVAC-Systeme einzuführen und insbesondere allgemeine Sicherheitsvorkehrungen vorzustellen, die sich nicht notwendigerweise auf ein bestimmtes Teil oder Verfahren beziehen und nicht notwendigerweise an anderer Stelle in dieser Veröffentlichung erscheinen. Die in diesem Handbuch beschriebenen Vorsichtsmaßnahmen müssen vollständig verstanden und in allen Phasen des Betriebs und der Wartung beachtet werden.

Die in diesem Handbuch beschriebenen Vorsichtsmaßnahmen müssen in allen Phasen des Betriebs und der Wartung vollständig verstanden und angewendet werden.



2.0 Beschreibung des Produktes

Der Kanalluftwärmer dient zur Erwärmung der Luft

Es wird auf die allgemeine Zeichnung dieses Produktes verwiesen:

Zeichnungsnummer	: Siehe Übersichtszeichnung des Produktes
Stromversorgung	: Siehe Schaltplan
Spannung	: Siehe Schaltplan
Bezugsnummer	: Identisch mit Auftragsnummer und Artikelnummer

Der Kanalluftwärmer besteht aus einem Anschlussgehäuse mit Klemmen und/oder Kupferschienen, einer Schutzvorrichtung mit manueller Rückstellung (TSHH) und einer Schutzvorrichtung mit automatischer Rückstellung (TSH), sowie dem Luftkanal mit den elektrischen Heizelementen.

Wenn kein Luftstrom vorhanden ist, schalten TSH und TSHH die Heizung aus.

Optional können die unten genannten Geräte im Anschlusskasten montiert werden.

- PT 100 oder Thermoelement mit Transmitter
- Stillstandsheizung

Optional kann der Kanalluftwärmer mit

- Thermostat
- Strömungswächter und
- externer Steuerung geliefert werden

siehe Schaltplan

3.0 Verpackung

Die Verpackung entspricht den spezifischen Anforderungen der individuellen Bestellung oder des Vertrages sowie den Vorschriften des Bestimmungslandes.

3.1 Wahl der Verpackungsart

Die Wahl der Verpackungsart und der Bedarf an besonderen Schutzvorkehrungen hängen von den Eigenschaften des zu verpackenden Gerätes und des zu verpackenden Materials, ihren Handhabungsanforderungen und der gewählten Transportart ab.

Die Verpackung bietet sowohl mechanischen Schutz als auch Umweltschutz.

3.2 Holzbehandlung

Jegliches Massivholz, das für die Verpackung (einschließlich Holzpaletten) verwendet wird, wird gemäß dem internationalen Standard ISPM 15 (IPPC), letzte Revision, behandelt (Wärmebehandlung oder Begasung).

Da diese Vorschriften nicht für alle Länder gleich sind, muss das Verfahren den Anforderungen des Endbestimmungslandes entsprechen.

3.3 Paletten

Das Gerät wird auf Paletten verpackt, die während des Transports und der Lagerung eine angemessene Lastunterstützung bieten. Die Paletten haben eine dynamische Belastbarkeit, die ausreicht, um die auf der Palette geladene Masse zu tragen.

Wo dies möglich ist, muss die Oberseite der Palette flach sein.

Die Palette muss auf allen Seiten mit Stahl- oder Kunststoffbändern straff gespannt sein. Alle Geräte und Materialien werden ordnungsgemäß mit Bolzen, Klammern, Stützbalken usw. fixiert. Zerbrechliche, leicht zu beschädigende und lose Teile, die zum Gerät gehören, werden sicher und ordnungsgemäß in einer separaten Kiste verpackt.

3.4 Handhabung

Unter keinen Umständen darf das Gerät selbst als Plattform für den Zugang zu den darüber liegenden Installations- und Konstruktionsbereichen verwendet werden. Wenn ein solcher Zugang erforderlich ist, muss ein geeignetes Gerüst aufgestellt werden, das Gerät darf nicht als Stütze verwendet werden.

3.5 Schwerpunkt

Falls erforderlich, werden große und schwere Geräte mit Schwerpunkt (COG) gekennzeichnet.

3.6 Etikettierung und Markierung der Geräte / Identifizierung

Wenn keine spezifische Kennzeichnung erforderlich ist (siehe technische Spezifikationen im Auftrag) erfolgt die Kennzeichnung gemäß JEVI-Norm.
Auf Wunsch stimmt das Identifikationsetikett mit der endgültigen Packliste/Lieferschein überein.

3.7 Versandmarkierungen/ Etikettierung

Alle Packstücke werden entsprechend den angegebenen Daten auf Packliste/Lieferschein markiert oder etikettiert

4.0 Transport

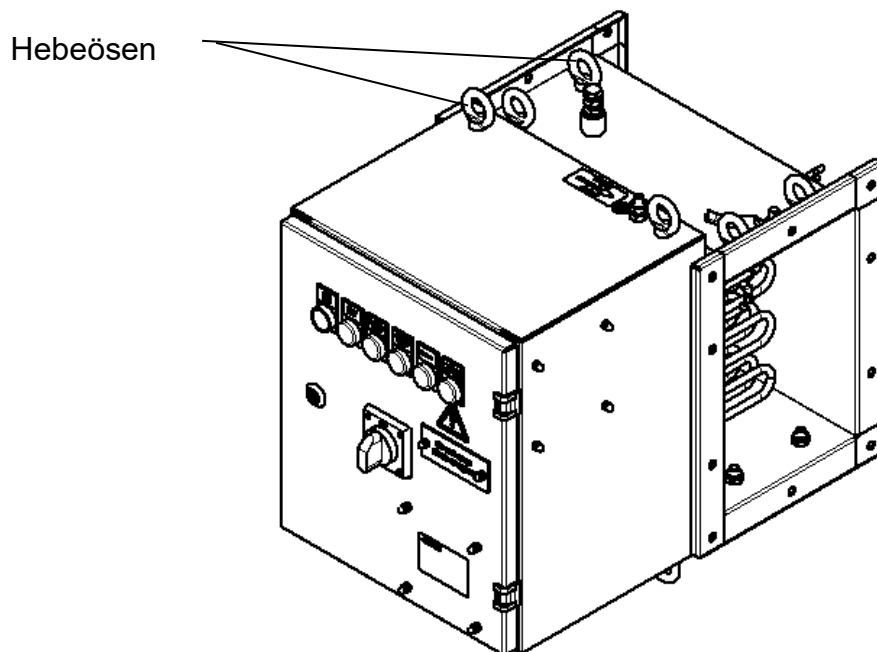
Das Produkt wird auf Paletten verpackt. Die Verpackung kann mit dem Gabelstapler oder mit Hilfe eines Krans leicht bewegt werden. Handhabung durch autorisiertes Personal.

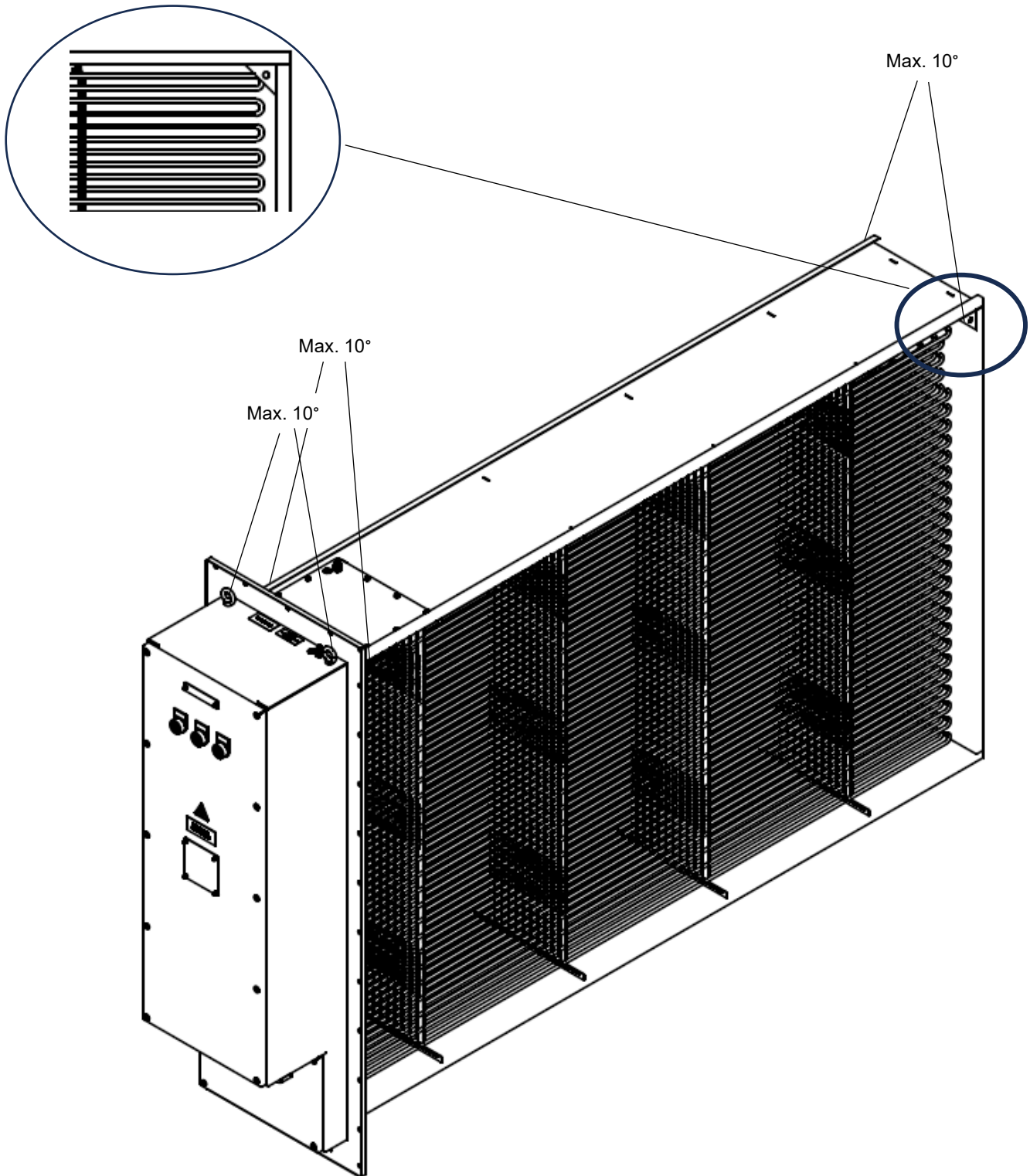
- Angaben zu Hebeösen in der Übersichtszeichnung
- Angaben zum Gewicht in der Übersichtszeichnung oder auf dem Typenschild
- Schwerpunkt – falls vorhanden, siehe Übersichtszeichnung

ACHTUNG	Die Heizelemente dürfen <u>NICHT</u> zum Anheben verwendet werden, da dies die Heizelemente beschädigt.
	Zum Anheben des Geräts immer Hebeösen und Hebegurte verwenden.

4.1 HVAC

Alle Kanallufterhitzer und Einsätze mit einem Gewicht von mehr als 25 kg werden mit Hebevorrichtungen geliefert.





5.0 Lagerung und Konservierung

Zweck dieses Kapitels ist es, zu spezifizieren, wie ein Produkt vom Tag des Versands bis zur Installation und Inbetriebnahme des Gerätes zu handhaben und zu konservieren ist.

Die folgenden Bedingungen müssen für die Installations-/Bauzeit eingehalten werden.

ACHTUNG	Während der Lagerung muss das Gerät vor der Installation trocken mit einer relativen Luftfeuchtigkeit <60 %, Temperatur >15°C gelagert werden.
ACHTUNG	Ersetzen Sie den Trockenmittelbeutel in Anschlussdosen und Gehäusen (falls vorhanden) alle 6 Monate. Führen Sie als Dokumentation ein Protokoll über den Austausch.
ACHTUNG	Falls vorhanden, muss die Stillstandheizung stets eingeschaltet und angeschlossen sein.

5.1 Konservierung während des Transports und vor der Installation

Die Verpackung bietet sowohl mechanischen Schutz als auch Umweltschutz. Wenn das Gerät für den Betrieb im Freien bestimmt ist, wird es, um jedes Risiko von schädlichem Metallstaub während der Lagerung zu vermeiden, mit einer umhüllenden Plastikfolie geschützt.

Alle Öffnungen, wie z.B. Kabeleinführungsöffnungen, sind ausreichend abgedichtet.

Die Pakete dürfen während des Transports nicht geöffnet oder in ihrer Unversehrtheit beeinträchtigt werden.

Die Verpackung darf erst geöffnet werden, wenn das Gerät aus dem Lager entnommen und an den vorgesehenen Installationsort oder zum Anschluss der Stillstandheizung transportiert worden ist. Die Konservierungsmaßnahmen für die Lagerung sind unwirksam, sobald die Verpackung beschädigt ist.

Die Packstücke müssen beim Wareneingang im Lagerhaus und während der Lagerzeit regelmäßig in monatlichen Abständen auf äußere Beschädigungen geprüft werden. Alle sichtbaren Schäden, die sich auf den Zustand des Inhalts oder die Unversehrtheit der Konservierung auswirken können, sind unverzüglich zu dokumentieren und zu melden. In einem solchen Fall muss der Zulieferer sofort zur Beratung kontaktiert werden.

5.2 Konservierung während der Installations-/ Bauphase

Das Produkt darf nur dann ausgepackt werden, wenn das Gerät installiert werden soll oder um die Stillstandheizung anzuschließen. Es wird empfohlen, die Unversehrtheit der Verpackung während des Transports vom Lagerhaus zum Installationsort beizubehalten. Überprüfen Sie das Gerät in jeder Verpackung auf Schäden und Zustand, sobald die Verpackung geöffnet wird. Schäden sofort melden und dokumentieren. In einem solchen Fall muss der Zulieferer sofort zur Beratung kontaktiert werden.

Die Installation und Handhabung des Gerätes nach dem Auspacken müssen in Übereinstimmung mit den relevanten Elementen der Dokumentation für das gelieferte Gerät erfolgen.

Schäden, die durch schlechte Verarbeitung oder Nichtbeachtung der Installationsanweisungen verursacht werden, sind nicht durch die Gerätegarantie abgedeckt.

Wenn das Gerät in einem Bereich installiert wird, in dem laufende Bauarbeiten stattfinden, die Luftverschmutzung oder andere ungünstige Bedingungen verursachen, muss dieses entsprechend geschützt werden. Keinesfalls darf das Gerät in der Nähe von Tätigkeiten wie Schleifen, Schweißen, Streichen, Feuerfestmachen, Sprühen usw. aufgestellt werden, ohne dass die notwendigen Vorkehrungen zu seinem Schutz getroffen werden.

Nach dem Anschließen der Kabel muss ein frischer Trockenmittelbeutel in das Gehäuse gelegt werden. Der Trockenmittelbeutel muss alle 6 Monate oder bis zur Inbetriebnahme ausgetauscht werden.

Alle Öffnungen, wie z.B. Kabeleinführungsöffnungen, müssen ausreichend abgedichtet werden, bis die Anschlusskabel oder -rohre installiert sind.

Die Geräte müssen während der Installation stets in einem sauberen Zustand gehalten werden. Der bei der Kabelinstallation anfallende Schmutz muss umgehend entfernt werden. Es ist sicherzustellen, dass keine leitenden Materialreste in den Anschlussgehäusen zurückbleiben. Es ist auch äußerst wichtig, dass kein Schmutz in den Tank gelangt, da dies zu einer Verstopfung der Rücklauf- oder Überlaufleitungen führen kann.

Unter keinen Umständen darf das Gerät selbst als Plattform für den Zugang zu den darüber liegenden Installations- und Konstruktionsbereichen verwendet werden. Wenn ein solcher Zugang erforderlich ist, muss ein geeignetes Gerüst aufgestellt werden, das Gerät darf nicht als Stütze verwendet werden.

Während der Installation muss das Gerät in regelmäßigen wöchentlichen Abständen gründlich auf äußere Beschädigungen, Sauberkeit und inneren Zustand überprüft werden. Bei sichtbaren Schäden oder falls ungünstige Bedingungen auftreten, muss dies sofort berichtet und dokumentiert werden. In einem solchen Fall muss der Zulieferer sofort zur Beratung kontaktiert werden.

Nach Abschluss der Installationsarbeiten muss der Zustand des Gerätes überprüft werden. Bei sichtbaren Schäden sind diese sofort zu melden und zu dokumentieren. In einem solchen Fall muss der Zulieferer sofort zur Beratung kontaktiert werden.

5.3 Vorschlag für Spezifikation und Dokumentation der Konservierung:

KONSERVIERUNGSSPEZIFIKATION UND -DOKUMENTATION								
Bericht Nr.:		Etikettennr.:	Beschreibung:				Seite 1 von 1	
Aufgabe Nr.:	Intervalle (Monate)	Beschreibung der Konservierungsmaßnahme	Empfohlene Konservierung	Erstkonservierung	Datum/ Unterschr. konserviert (2)	Datum/ Unterschr. konserviert (3)	Datum/ Unterschr. konserviert (4)	Datum/ Unterschr. konserviert (5)
1	1	Prüfung der Schutzstruktur auf Unversehrtheit						
2	6	Trockenmittelbeutel in den Anschlusskästen ersetzt						
3	1	Lagerbedingungen geprüft. Relative Feuchtigkeit < = 60 %, Temperatur > = 15°C						
4	12	Bei Lagerung über einem Jahr ab Verpackungsdatum muss der Zulieferer um Rat bezüglich der Erneuerung des Trockenmittelbeutels kontaktiert werden.						
5	12	Lackierung prüfen.						
6	12	Gerät auf sichtbare Schäden prüfen.						
7	12	Sicherstellen, dass der allgemeine Zustand des Gerätes zufriedenstellend ist						
8	12	Alle Öffnungen, wie z.B. Kabeleinführungen sind angemessen abgedichtet. Ebenso die Anschlusskästen						
9	12	Sämtliche losen Teile/ abgenommen Teile sind konserviert, gelagert und markiert						
10	6	Prüfung auf Eindringen von Wasser, Kondensation oder Feuchtigkeit falls zutreffend.						
11	6	Die Antikondensationsheizung im Gerät muss jederzeit eingeschaltet und angeschlossen sein.						
Anmerkungen:								
Durchgeführt von: Datum/Unterschrift:			Abgenommen von: Datum/Unterschrift:					

Anmerkung: Diese Maßnahmen werden als normale Wartungsarbeiten angesehen und werden auf Kosten des Besitzers durchgeführt.

* Je nach Umgebungsbedingungen kann die Prüfungshäufigkeit abweichen.

6.0 Montageanleitung

6.1 Allgemeines

Der Anwender muss sicherstellen, dass alle Mitarbeiter in den ordnungsgemäßen Installations- und Arbeitsverfahren umfassend geschult und beaufsichtigt werden, um ihre Sicherheit zu gewährleisten. Die Anlage muss in einem sicheren Zustand gehalten werden. Stellen Sie sicher, dass die Anlage von technisch qualifiziertem Personal ordnungsgemäß an einem geeigneten Ort installiert wird.

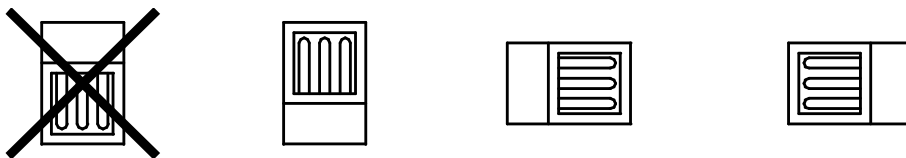
Die Installation muss den Anforderungen von EN/IEC 60335-1, EN/IEC 60335-30 entsprechen.

6.2 Montage des Kanallufters


Vergewissern Sie sich vor dem Auspacken der Produkte, dass alle Gegenstände vorhanden und alle Kisten und/ oder Pakete in gutem Zustand und unbeschädigt sind. Etwaige Schäden müssen dem Bauleiter und anschließend JEVI A/S gemeldet werden.

Überprüfen Sie nach dem Entfernen des Verpackungsmaterials alle Gegenstände auf Schäden. Falls Schäden vorhanden sind, melden Sie diese dem Werks-/Bauleiter und anschließend JEVI A/S.

Für den Einbau müssen Montage- und Dichtungsmaterialien verwendet werden, die für das zu beheizende Medium und die auftretenden Temperaturen geeignet sind. Genaue Daten und Angaben zur Einbaulage entnehmen Sie bitte der Übersichtszeichnung.



1. Öffnen Sie den Anschlusskasten.
2. Schließen Sie die Stromkabel an die Klemmen oder das Sammelschienensystem an, wie auf dem Schaltplan angegeben, und verbinden Sie die Erdungsvorrichtungen auf der Montageplatte.
3. Befolgen Sie die Anweisungen des Lieferanten der Kabelverschraubungen, falls vorhanden und/oder anwendbar.
4. Schließen Sie die Abdeckung.

 WARNUNG	Öffnen Sie den Anschlusskasten nicht, wenn dieser unter Spannung steht.
ACHTUNG	<ul style="list-style-type: none"> • Wenn das Gerät nicht in Betrieb ist, muss es trocken gelagert werden. Relative Luftfeuchtigkeit <60 % und Temperatur >15°C. • Schließen Sie ggf. die Stillstandheizung an und schalten Sie sie ein. • Es ist ratsam, im ausgebauten Zustand einen Trockenmittelbeutel in den Anschlusskasten zu legen.

6.3 Einstellung des TSH Thermostats (falls vorhanden) mit Auto-Reset

Der TSH ist auf 80 % des Maximums eingestellt.

Wenn eine Anpassung erforderlich ist, betreiben Sie den Kanallufferhitzer mit maximaler Leistung und dem niedrigsten Luftstrom, siehe Spezifikation.

1. Stellen Sie den TSH auf maximale Temperatur ein.
2. Warten Sie, bis der Luftstrom und die Temperatur konstant sind.
3. Reduzieren Sie die Auslösetemperatur am TSH mittels Einstellknopf schrittweise um je ca. 10 °C. Warten Sie ab, ob der TSH nach 10 Minuten anspricht; sonst reduzieren Sie um weitere 10 °C und fahren Sie mit diesem Verfahren fort, bis der TSH den Kanallufferhitzer abschaltet.
4. Nun stellen Sie den TSH ca. 10°C über der Auslösetemperatur ein.
5. Betreiben Sie den Erhitzer mit voller Leistung und ohne Luftdurchsatz. Der TSH muss auslösen, bevor die maximal zulässige Temperatur erreicht ist.
6. Der mechanische TSHH ist nicht einstellbar.

6.4 Testverfahren TSH/TSHH thermische Abschaltung

TSH/TSHH werden bei JEVI werkseitig getestet.

Falls in Zusammenhang mit der Inbetriebnahme eine zusätzliche Prüfung der thermischen Abschaltung TSH/TSHH erforderlich ist, wird folgende Vorgehensweise empfohlen:

1. Setzen Sie einen Temperatursensor in der Nähe des TSH/TSHH ein, um die Temperatur zu kontrollieren.
2. Erwärmen Sie die Sensoren mit einer Heißluftpistole auf die eingestellte Temperatur.

7.0 Inbetriebnahme

Trockenmittelbeutel vor der Inbetriebnahme aus dem Anschlusskasten entfernen.

Vor der ersten Inbetriebnahme des Kanallufters muss folgendes sichergestellt sein:

1. Der Kanallufters wurde entsprechend der Übersichtszeichnung ordnungsgemäß installiert und, falls erforderlich, wurde eine Luftdichtigkeitsprüfung durchgeführt.
2. Der Schutzleiter (PE) ist angeschlossen und ggf. die äußere Verbindung zwischen Gehäuse und Erde hergestellt, z. B. zur Vermeidung elektrostatischer Entladungen.
3. Der Erdungsanschluss ist hergestellt und ordnungsgemäß gesichert.
4. Die elektrischen Anschlüsse wurden nach den einschlägigen Vorschriften und Schaltplänen ausgeführt.
5. Der Kanallufters ist ordnungsgemäß installiert, und alle Muttern und Schrauben sind ordnungsgemäß angezogen.
6. Elektrische Verbindungen zwischen Schalttafel und Kanallufters sind korrekt installiert, z. B. Stromkabel, Temperaturgeber.

7.1 Vor Einschalten des Kanallufters

1. Die Versorgungsspannung prüfen.
Überprüfen Sie die Steuerspannung.
Die Spannungsangaben finden Sie in den Schaltplänen des Geräts.
2. Prüfen Sie, ob das Überwachungssystem aktiviert wurde, z.B. "Überhitzungsschutz".
(PT100 oder Thermoelement-Sensor, der direkt am Heizelement befestigt ist).

7.2 Abschalten des Kanallufters

Schalten Sie den Kanallufters aus, bevor Sie den Durchfluss unterbrechen.

8.0 Betriebsanweisungen

Vor der ersten Inbetriebnahme des Kanalluftherizer ist folgendes zu prüfen:

1. Der Kanalluftherizer ist ordnungsgemäß installiert, und erforderlichenfalls ist eine Dichtigkeitsprüfung durchzuführen.
2. Der elektrische Anschluss wurde entsprechend den geltenden Vorschriften und Bestimmungen durchgeführt.
3. Der Schutzleiter (PE) ist angeschlossen und ggf. die äußere Erdverbindung zwischen Gehäuse und Erde hergestellt, z. B. zur Vermeidung elektrostatischer Entladung.
4. Überwachungssysteme sind aktiviert, z. B. "Durchflussüberwachung" und "Überhitzungsschutz".
5. Das zu erwärmende Medium entspricht der Auslegung des Kanalluftherizer.

An den Kabeleinführungen sind Temperaturen von mehr als 70°C nicht zulässig. Die Mindesttemperatur für alle eingehenden Kabel beträgt 70°C.


WICHTIG	<p>Vor dem Einschalten des Kanalluftherizers ist zu prüfen, ob der Nenndurchfluss des Prozesses gegeben ist. Die verwendeten Konstruktionsmaterialien sind entsprechend den spezifizierten Betriebsbedingungen ausgewählt.</p> <p>Wird der Kanalluftherizer mit anderen Medien oder Temperaturen als den angegebenen betrieben, erlischt die Garantie sofort!</p>
----------------	---

9.0 Wartung

Das Wartungsintervall von einem Jahr gilt nur, wenn der Kanallufferhitzer in einer trockenen und sauberen Umgebung installiert ist. Bei Installation in einer Umgebung, die diese Anforderungen nicht erfüllt, müssen die Wartungsintervalle möglicherweise verkürzt werden.

Die für die Instandhaltung verantwortliche Person muss dafür sorgen, dass die Mitarbeiter in den richtigen Arbeitsverfahren geschult und beaufsichtigt werden, damit ihre Sicherheit gewährleistet ist.

1. Überprüfen Sie die Keramikisolatoren an den Elementen auf Beschädigungen.
2. Prüfen Sie den Isolationswiderstand der Heizelemente. Schließen Sie den Isolationswiderstandsmesser an einen Erdungsbolzen und eine der Phasen U1, V1 oder W1 an. Liegt der gemessene Wert unter 2 MΩ, muss jedes Heizelement einzeln geprüft werden. Der Mindestwert beträgt 2 MΩ bei 1000 V.
3. Reinigen Sie alle Oberflächen.
4. Bei Heizelementen müssen Salzkristalle, Kohlenstoff- oder Kalkschichten mit einem nichtmetallischen Werkzeug, z. B. Holz, vom Mantel der Heizelemente entfernt werden.
5. Stellen Sie sicher, dass die Anschlüsse sicher mit den Klemmen oder Stromschienen verbunden sind. Die Anschlüsse der Heizelemente müssen ordnungsgemäß angezogen werden.
6. Überprüfen Sie die Funktion des Stillstandsheizung im Anschlusskasten (falls vorhanden). Die Stillstandsheizung ist mit einem integrierten Thermostat ausgestattet, der sich im Anschlusskabel befindet und der werkseitig auf Frostschutztemperaturen eingestellt ist. Die Stillstandsheizung ist wartungsfrei. Wenn die Stillstandsheizung nicht funktioniert, muss sie ausgetauscht werden.

WICHTIG	Wenn sich der Isolationswiderstand durch unsachgemäße oder längere Lagerung verändert hat, empfiehlt es sich: a) den Anschlusskasten in einem trockenen Raum zu öffnen und die Elementanschlüsse mit einem Heißluftgebläse trocknen zu lassen. (Hinweis: Luft<80°C). b) den Kanallufferhitzer mit einer niedrigeren Spannung betreiben, bis die gesamte Feuchtigkeit verdampft ist und der Isolationswiderstand den gewünschten Wert erreicht hat.
 WARNUNG	Der Umgang mit dem Erhitzer muss den Anforderungen der DS/EN 50110-1:2013 (elektrische Sicherheit) entsprechen.

9.1 Wartungs- und Serviceplan

- Prüfen oder Reinigen
- Ersatzteile

System	Prüfung	Periodische Wartungsintervalle			
		Wöchentlich (erste 4 Wochen)	Alle 6 Monate	Alle 12 Monate	Alle 36 Monate
Komplett	Sichtprüfung außen	○			
	Alle Schrauben und Muttern nachziehen	○			
	Während der Lagerung den Trockenmittelbeutel wechseln		●		
	Von innen und außen mit Druckluft reinigen		○		
Elektrisches System	Messung der Widerstandswerte entsprechend Prüfbericht (max Abweichung 10%)			○	
	Alle Klemmenanschlüsse prüfen			○	
	Spannung des Kühlgebläsefilters messen			○	
	Messung des Isolationswiderstandes <3 MΩ bei 1000 V DC			○	

Hinweis: Diese Verfahren gelten als normale Wartung und werden auf Kosten des Eigentümers durchgeführt.

* Je nach Umgebung kann die Häufigkeit der Inspektionen variieren.

10.0 Trouble shooting

Trennen Sie vor jeder Inspektion, Wartung oder Reinigung alle Stromquellen von der Stromversorgung. Es besteht die Gefahr eines elektrischen Schlags, solange das Gerät angeschlossen ist.

Bei Wartungsarbeiten, die eine Reparatur oder den Austausch von Bauteilen erfordern, wenden Sie sich bitte umgehend an das Werk, um weitere Anweisungen zu erhalten. Im Folgenden sind nur die Fehler aufgeführt, die in den Bereich der normalen Wartung fallen. Wenn ein Problem nicht aufgeführt ist oder durch die aufgeführten Abhilfemaßnahmen nicht behoben werden kann, wenden Sie sich umgehend an JEVI A/S.



Problem	Mögliche Ursache	Mögliche Korrektur
Ausfall des Heizkörpers/ Widerstandes	Stromschiene lose Widerstandselement ausgebrannt	Ausgefallene Widerstandsreihe festziehen. Element demontieren und Ersatz einsetzen
Temperaturschalter hat ausgelöst	Heizkörper/ Widerstand hat Übertemperatur	Vergewissern Sie sich, dass Lufteinlass und -auslass frei von Fremdkörpern oder Verstopfungen sind. Kühlgebläsebetrieb prüfen
Differenzdruckschalter hat ausgelöst	Lockere Verbindungen. Verstopfung im Einlass	Alle Verbindungen prüfen. Entfernen und reinigen.

11.0 Entsorgungsanweisungen

Geräte, die elektronische Komponenten enthalten, dürfen nicht über den Hausmüll entsorgt werden. Sie müssen entsprechend der Rechtslage separat mit anderem elektronischem Müll gesammelt werden.

Veiligheidsinformatie

Om uw persoonlijke veiligheid te waarborgen en materiële schade te voorkomen, bevat deze handleiding adviezen die U in acht dient te nemen. De adviezen verwijzen naar uw persoonlijke veiligheid.


 GEVAAR	Geeft aan dat ernstig letsel of zelfs dood het gevolg kan zijn als de juiste voorzorgsmaatregelen niet worden genomen.
 WAARSCHUWING	Met een waarschuwingssymbool geeft aan dat licht persoonlijk letsel kan ontstaan als de juiste voorzorgsmaatregelen niet worden genomen.
VOORZICHTIG	Zonder waarschuwingssymbool geeft aan dat materiële schade kan ontstaan als de juiste voorzorgsmaatregelen niet worden genomen.
MEDEDELING	Geeft aan dat een onbedoeld resultaat of situatie kan optreden als de bijbehorende informatie niet in overweging wordt genomen.

Als er meer dan één mate van gevaar aanwezig is, wordt de waarschuwing gebruikt die het hoogste gevaar aangeeft. Een waarschuwing voor persoonlijk letsel met een veiligheidssymbool kan ook een waarschuwing met betrekking tot materiële schade bevatten.

Gekwalificeerd Personeel

Alleen personeel dat gekwalificeerd is volgens de richtlijnen van de relevante documentatie voor de specifieke taak, met name de waarschuwingen en veiligheidsinstructies, mag het in deze documentatie beschreven product bedienen. Gekwalificeerd personeel is diegene die, op basis van hun opleiding en ervaring, risico's kan identificeren en mogelijke gevaren kan vermijden bij het werken met deze producten/ systemen.

Correct gebruik van JEVI-producten

 WAARSCHUWING	De correcte manier van transport, opslag, installatie, montage, ingebruikname, bediening en onderhoud is vereist om ervoor te zorgen dat het product veilig en zonder problemen werkt. Ook de toelaatbare omgevingswaarden moeten worden aangehouden. Let op de informatie in de relevante documentatie.
---	--

Disclaimer

JEVI A/S aanvaardt geen verantwoordelijkheid voor eventuele aanvullingen door de klant gedaan die de werking van ons product kunnen beïnvloeden. Door de klant aangebrachte aanvullingen of wijzigingen vallen niet onder onze garantie.

BELANGRIJK: Deze instructies moeten grondig worden gelezen vóór installatie en bediening. Alle waarschuwingen en voorzorgsmaatregelen moeten in acht worden genomen voor zowel persoonlijke veiligheid als voor goede prestaties van de apparatuur en een lange levensduur. Het niet opvolgen van deze instructies kan leiden tot ernstig persoonlijk letsel en/of defect apparatuur.

NB! DEZE HANDLEIDING IS EEN STANDAARD DOCUMENT EN IS NIET PROJECT SPECIFIEK.

De Engelse versie van deze handleiding is JEVl's standaardversie.

List of abbreviations

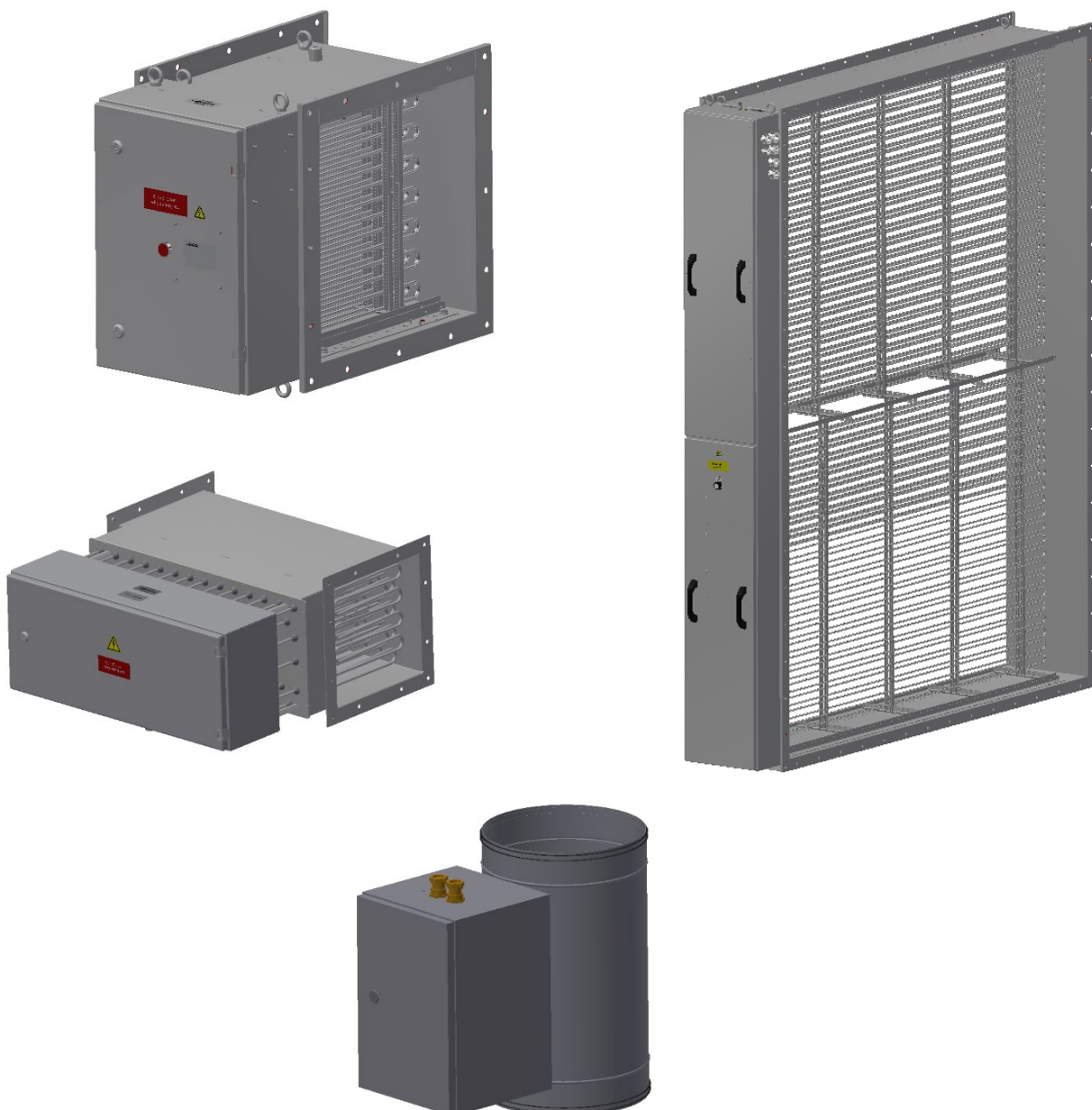
ACBR	Air Cooled Braking Resistor	Luftgekühlter Bremswiderstand	Luchtgekoelde remweerstand
CoG	Centre of Gravity	Schwerpunkt	Zwaartepunt
EF	Electrical Duct heater	Elektrisches Kanalheizregister	Elektrische kanaalverwarmer
GA	General Arrangement (Drawing)	Gesamtzeichnung	Algemene opstelling (tekening)
HVAC	Heating, ventilation, Air Conditioning	Heizung, Lüftung und Klimatisierung	Verwarming, ventilatie, airconditioning
IOM	Installation, Operating and Maintenance Manual	Montage- Betriebs- und Wartungshandbuch	Installatie-, bedienings- en onderhoudshandleiding
JB	Junction Box	Anschlusskasten	Aansluitkast
VLE	Fan heater with integrated controls for temperature control	Heizlüfter mit integrierter Steuerung für die Temperaturregelung	Ventilatorverwarmer met geïntegreerde bedieningselementen voor temperatuurregeling
VLEx	Fan heater for hazardous areas	Explosiongeschützter Heizlüfter	Ventilatorverwarming voor gevaarlijke zones
WCBR	Water Cooled Braking Resistor	Wassergekühlter Bremswiderstand	Watergekoelde remweerstand
TSH	Temperature Switch High	Temperaturüberwachungsthermostat	Temperatuurschakelaar Hoog
TSHH	Temperature Switch High High	Temperaturbegrenzer	Temperatuurschakelaar Hoog Hoog

1.0 Introductie

Deze handleiding geldt voor verschillende modellen HVAC.

Het doel van dit document is om een lezer kennis te laten maken met de installatie-, bedienings- en onderhoudsprocedure en vooral met de algemene veiligheidsmaatregelen, die niet noodzakelijkerwijs verband houden met een specifiek onderdeel of procedure en niet noodzakelijkerwijs elders in de publicatie voorkomen. Deze voorzorgsmaatregelen moeten grondig worden begrepen en toegepast in alle fasen van bediening en onderhoud.

De beschrijvingen in deze handleiding zijn algemeen en zijn niet project specifiek. Afbeeldingen kunnen ander apparatuur en/of opties tonen dan de actuele situatie.



2.0 Omschrijving van product

De kanaalverwarmer is bedoeld om lucht te verwarmen.

Er wordt verwezen naar de algemene tekening van dit artikel voor het bedoelde gebruik:

Tekeningnr. : Raadpleeg apparatuurtekening GA
Elektrische voeding : Zie elektrisch schema
Spanning : Zie elektrisch schema
Ref.nummer : Hetzelfde als ordernummer en artikelnummer

De verwarmer bestaat uit een behuizing met elektrische verwarmingselementen, klemmen en/of koperen strips gemonteerd op een busbar.

Een beveiligingsinrichting met handmatige reset (TSHH) en een beveiligingsinrichting met automatische reset (TSH).

Indien er geen luchtstroom is, schakelen de TSH en TSHH de verwarmer uit.

Optioneel kan de onderstaande uitrusting in de aansluitkast worden gemonteerd.

Temperatuurzender.
Anticondensatieverwarmer.

Optioneel kan de verwarmer wordt voorzien van een thermostaat, flowschakelaar en extern bedieningssysteem, zie elektrisch schema.

3.0 Verpakking

Alle verpakkingen zijn in overeenstemming met de specifieke vereisten van de individuele bestelling of het contract, evenals met de voorschriften van het land van bestemming.

3.1 Keuze van het verpakkingstype

De keuze van het verpakkingstype en de vereiste van bepaalde beschermingen zijn afhankelijk van de kenmerken van de uitrusting en het te verpakken materiaal, de hanteeringsvereisten en het gekozen transport.

De verpakking biedt zowel mechanische als milieubescherming.

3.2 Houtbehandeling

Al het massieve hout dat wordt gebruikt voor het verpakken (inclusief houten pallets) wordt behandeld (warmtebehandeling of begassing) volgens de internationale standaard ISPM 15 (IPPC), laatste revisie.

Aangezien deze regels niet voor alle landen hetzelfde zijn, moet de procedure voldoen aan de eisen van een land van eindbestemming.

3.3 Pallets

Apparatuur is verpakt op pallets die voldoende ondersteuning bieden tijdens transport en opslag. De pallets hebben een dynamisch laadvermogen, voldoende om de massa op de pallet te laden. Waar mogelijk moet het bovenoppervlak van de pallet vlak zijn.

De pallet moet aan alle kanten strak zijn met stalen of synthetische banden aan elke kant. Bouten, klemmen, steunbalken, enz. zullen alle apparatuur en materialen goed bevestigen.

Kwetsbare, gemakkelijk te beschadigen en losse onderdelen die bij de apparatuur horen, worden veilig en goed verpakt in een aparte koffer.

3.4 Behandeling

In geen geval mag de apparatuur zelf worden gebruikt als platform om toegang te krijgen tot installatie- en constructiegebieden hierboven. Als een dergelijke toegang vereist is, moet er een geschikte steiger worden opgesteld, de apparatuur mag niet als ondersteuning worden gebruikt.

3.5 Zwaartepunt

Indien nodig wordt groot en zwaar apparatuur gemarkeerd met "Center of Gravity (COG)".

3.6 Etikettering en labelen van apparatuur/ Identificatie

Als er geen specifieke identificatie vereist is (zie de inkooporder voor de technische specificaties), is de etikettering in overeenstemming met de JEVI-norm.

Op verzoek is het identificatielabel in overeenstemming met de definitieve paklijst/ afleverbon.

3.7 Verzendmerken/ etikettering

Alle pakketten zijn gemarkeerd of gelabeld in overeenstemming met de getoonde gegevens in de paklijst/ pakbon.

4.0 Vervoer

Het product wordt verpakt volgens afspraak, met vermelding van CoG indien gewenst door klant.

Het product is verpakt op pallets. De verpakking kan gemakkelijk worden verplaatst met een vorkheftruck of met een kraan, behandeld door bevoegd personeel.

Voor hijsogen, zie GA

Voor gewicht, zie GA of typeplaatje

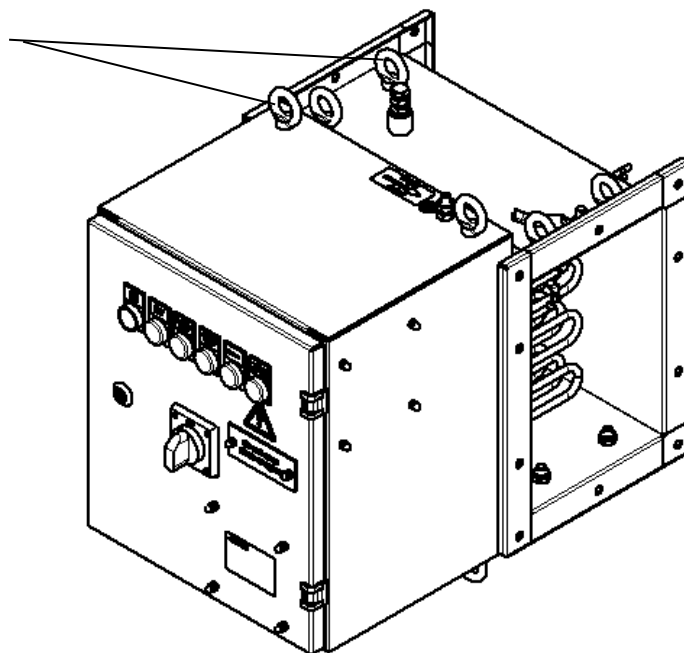
Voor zwaartepunt (CoG), zie GA

VOORZICHTIG	Verwarmingselementen mogen NIET worden gebruikt om te hijsen, dit veroorzaakt schade aan de elementen.
--------------------	--

4.1 HVAC

Alle verwarmers en inzetstukken met een gewicht > 25 kg worden geleverd met hijsinrichting.

Hijsogen



5.0 Opslag en bewaring

Het doel van dit hoofdstuk is om te specificeren hoe een product moet worden behandeld en bewaard vanaf de dag van verzending totdat de apparatuur is geïnstalleerd en in bedrijf is gesteld.

Voor de installatie-/ bouwperiode moeten de volgende voorwaarden in acht worden genomen.

VOORZICHTIG	Tijdens de opslag moet het apparaat vóór installatie droog worden opgeslagen met een relatieve vochtigheid <60%, temperatuur > 15 ° C.
VOORZICHTIG	Vervang de zak met droogmiddel elke 6 maanden in de aansluitdozen en behuizingen. Houd een logboek bij van de vervangingen als documentatie.
VOORZICHTIG	De anti-condens verwarming, indien aanwezig, moet te allen tijde worden ingeschakeld en aangesloten.

5.1 Conservering tijdens de transport- en pre-installatieperiode

De verpakking biedt zowel mechanische als milieubescherming. Als het apparaat bedoeld is voor gebruik in een buitenomgeving, wordt het beschermd met omhullende plasticfolie om het risico van schadelijk metaalstof tijdens opslag te vermijden. Alle openingen zoals kabelinvoergaten zijn voldoende afgedicht.

Pakketten mogen tijdens het transport niet worden geopend of de integriteit ervan worden verstoord.

De verpakking mag alleen worden geopend als de apparatuur uit de opslag is gehaald en is vervoerd naar de beoogde installatieplaats of om de anticondensverwarming aan te sluiten, waarna de verpakking opnieuw moet worden gesloten. Maatregelen voor opslagbehoud worden onmiddellijk ongeldig zodra de verpakking wordt verstoord.

Men controleert pakketten bij ontvangst in het opslagmagazijn en met regelmatige maandelijksse tussenpozen tijdens de opslagperiode op externe schade. Elke zichtbare schade die een gevolg kan zijn van de staat van de inhoud of de integriteit van de bewaring moet onmiddellijk worden gedocumenteerd en gerapporteerd. In het geval van een dergelijke gebeurtenis moet onmiddellijk contact worden opgenomen met de leverancier voor advies.

5.2 Conservering tijdens de installatie/ bouwperiode

Het product mag alleen worden uitgepakt wanneer de apparatuur wordt geïnstalleerd of om de anticondensverwarming aan te sluiten. Het wordt aanbevolen om de integriteit van

de verpakking te behouden tijdens transport van het opslagmagazijn naar de installatie-locatie.

Inspecteer de apparatuur in elke verpakking op schade en conditie zodra de verpakking wordt geopend. Meld en documenteer eventuele schade onmiddellijk. In het geval van een dergelijke gebeurtenis moet onmiddellijk contact worden opgenomen met de leverancier voor advies.

Installatie en behandeling van de apparatuur nadat deze is uitgepakt, moet worden uitgevoerd in overeenstemming met de relevante elementen van de documentatie voor de geleverde apparatuur.

Schade veroorzaakt door slecht vakmanschap of het niet naleven van de installatie-instructies vallen niet onder de garantie van de apparatuur.

Als de apparatuur is geïnstalleerd in een gebied waar voortdurende bouwwerkzaamheden plaatsvinden die luchtverontreiniging of andere ongunstige omstandigheden veroorzaken, moet de apparatuur op passende wijze worden beschermd. De apparatuur mag in geen geval in de buurt van enige activiteit worden geplaatst, zoals slijpen, lassen, schilderen, vuurvast maken, spuiten, enz. Zonder de nodige voorzorgsmaatregelen te nemen ter bescherming.

Wanneer de kabelafsluiting is voltooid, moet er een nieuwe zak met droogmiddel in de behuizing worden geplaatst. De zak met droogmiddel moet elke 6 maanden worden vervangen of totdat de inbedrijfstelling is gestart.

Alle openingen, zoals kabelinvoergaten, moeten voldoende worden afgedicht totdat de interfacekabels of buizen zijn geïnstalleerd.

Houd het apparaat tijdens de installatie altijd schoon. Verwijder puin van kabelinstallatie-activiteiten tegelijk. Neem voorzorgsmaatregelen om te voorkomen dat kleine stukjes van geleidende aard achterblijven in de aansluitbehuizingen.

In geen geval mag de apparatuur zelf worden gebruikt als platform om toegang te krijgen tot installatie- en constructiegebieden hierboven. Als een dergelijke toegang vereist is, moet er een geschikte steiger worden opgesteld, de apparatuur mag niet als ondersteuning worden gebruikt.

Tijdens de installatie moet de apparatuur regelmatig wekelijks grondig worden geïnspecteerd op externe schade, reinheid en interne toestand. Meld en documenteer onmiddellijk als er zichtbare schade of ongunstige omstandigheden optreden. In het geval van een dergelijke gebeurtenis moet onmiddellijk contact worden opgenomen met de leverancier voor advies.

Na voltooiing van de installatiewerkzaamheden moet de staat van de apparatuur worden geïnspecteerd. Meld en documenteer eventuele schade onmiddellijk als er zichtbare schade is. In het geval van een dergelijke gebeurtenis moet onmiddellijk contact worden opgenomen met de leverancier voor advies.

VOORZICHTIG	Het is uiterst belangrijk dat er geen vuil in het vat komt, omdat dit kan leiden tot een verstopping van de retour of overloopleidingen.
--------------------	--

5.3 Suggestie voor het opslag logboek:

OPSLAG LOGBOEK								
Log Nr.:		Label Nr.:	Omschrijving:				LOG pagina 1 van 1	
Nr.	Interval (Maand)	Omschrijving van het onderhoud	Aanbevolen Onderhoudsmiddel	Eerste opslag	Datum/Paraaf Opslag (2)	Datum/Paraaf Opslag (3)	Datum/Paraaf Opslag (4)	
1	1	Controleer of de structuur van de bescherming onbeschadigd is.						
2	6	Het vervangen van de zak met droogmiddel in het aansluituis.						
3	1	Controleer de opslag condities. Relatieve vochtigheid <= 60 %, temp. >= 15°C						
4	12	Controleer het lakwerk.						
5	12	Controleer op zichtbare schade aan de apparatuur.						
6	12	Controleer of de algemene toestand van het apparaat bevredigend is.						
7	12	Alle openingen, zoals kabelinvoergaten, zijn voldoende afgedicht. Ook het aansluituis.						
8	12	Alle losse items of verwijderde onderdelen zijn bewaard, opgeslagen en gemarkeerd.						
9	6	Controleer op water lekkage, condensvorming of vocht opbouw.						
10	6	De anti-condens verwarming in de apparatuur moet te allen tijde zijn aangesloten						
Opmerkingen:								
Uitgevoerd door: Datum/Paraaf:			Geaccepteerd: Datum/Paraaf:					

Opmerking: Deze procedures worden beschouwd als normaal onderhoud en worden uitgevoerd op kosten van de eigenaar.

* Afhankelijk van de omgeving kan de inspectiefrequentie variëren.

6.0 Installatie-instructies

6.1 Algemeen

De gebruiker ziet erop toe dat werknemers volledig opgeleid zijn met betrekking tot de juiste werkprocedures en dat ze hierin worden gecontroleerd om hun veiligheid te garanderen. De fabriek moet in een veilige staat zijn onderhouden.

Zorg dat de apparatuur correct wordt geïnstalleerd op een geschikte locatie door technisch onderlegd personeel.

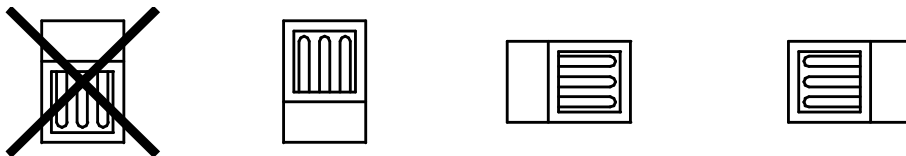
De installatie moet voldoen aan de eisen van EN/IEC 60335-1, EN/IEC 60335-30

6.2 Verwarmer installeren


Controleer voordat u de apparatuur uitpakt of alle onderdelen aanwezig zijn en dat alle kisten en/of verpakkingen in goede staat en onbeschadigd zijn. Eventuele schade moet worden gemeld aan de locatiemanager en vervolgens aan JEVİ A/S.

Na verwijdering van het verpakkingsmateriaal controleert u alle onderdelen op schade. Meld eventuele schade aan de locatiemanager en vervolgens aan JEVİ A/S.

Voor de installatie moeten montage- en verzegelingsmaterialen worden gebruikt die geschikt zijn voor het te verwarmen medium en de gangbare temperaturen die zullen optreden. Raadpleeg de GA-tekening voor precieze gegevens en indicaties van de montageposities.



1. Open de aansluitkast.
2. Sluit de voedingskabels aan op de klemmen of het busbarsysteem zoals aangegeven in het elektrische schema en sluit de aarding aan op de montageplaat.
3. Sluit de beschermende geleider aan op de aardingsaansluiting.
Volg de instructies van de leverancier van de kabelwartels indien deze aanwezig en/of van toepassing zijn.
Sluit de behuizing.

 WAARSCHUWING	Open de aansluitdoos niet als deze onder spanning staat
BELANGRIJK!	<ul style="list-style-type: none">• Indien niet in gebruik moet de eenheid droog worden opgeslagen. Relatieve luchtvochtigheid <60%, temperatuur >15°C.• Indien van toepassing de ruimteverwarmer aansluiten en inschakelen.• Indien gedemonteerd wordt geadviseerd om een zak met droogmiddel in de aansluitkast te plaatsen.

6.3 De TSH-thermoschakelaar (indien aanwezig) met auto-reset aanpassen

De TSH wordt aangepast tot 80% van het maximum.

Als een aanpassing nodig is, belast u de verwarmer met maximaal vermogen en de laagste luchtstroom volgens de specificatie.

Stel de TSH in op de maximale temperatuur.

Wacht totdat de luchtstroom en temperatuur constant zijn.

Pas de temperatuurschaal op de TSH stap voor stap omlaag aan met ca. 10°C per keer. Wacht 10 min om te zien of de TSH uitschakelt, pas nog eens 10°C aan en blijf herhalen totdat de TSH de verwarmer uitschakelt.

Pas de TSH-schaal 10°C omhoog

Test de verwarmer met volledige belasting en schakel de luchtstroom uit. De TSH moet uitschakelen voordat de maximaal toegelaten temperatuur voor de verwarmer bereikt is. De TSHH is niet verstelbaar.

6.4. Testprocedure TSH/TSHH thermische beveiliging

TSH/TSHH worden onderworpen aan een fabriekstest bij JEVI.

Als in verband met de inbedrijfstelling een extra test van de thermische beveiliging TSH/TSHH nodig is, wordt de volgende procedure aanbevolen:

1. Plaats een temperatuursensor in de buurt van de TSH/TSHH voor temperatuurregeling.
2. Verwarm de sensoren tot de ingestelde temperatuur met een heteluchtpistool.

7.0 Opstarten/ Inbedrijfstelling

Verwijder de zak met droogmiddel uit de aansluitkast voor het opstarten.

Controleer het volgende voor de eerste keer opstarten van de verwarmers:

1. De verwarmers is correct geïnstalleerd zoals beschreven in de Ga-tekening, en indien nodig is een lucht-lektest uitgevoerd.
2. De beschermende geleider (PE) is aangesloten en indien nodig is de externe verbinding tussen behuizing en aarding tot stand gebracht, bijv. ter voorkoming van elektrostatische ontlading.
3. De aardeverbinding is tot stand gebracht en goed vastgezet.
4. De elektrische aansluitingen zijn uitgevoerd in overeenstemming met de relevante regelgeving en het schakelschema.
5. De verwarmers is correct geïnstalleerd en alle nagels en bouten zijn goed vastgezet.
6. Elektrische aansluitingen tussen bedieningspaneel en verwarmers zijn correct geïnstalleerd, zoals voedingskabel en temperatuurzender.

7.1 Voordat de verwarmingselementen van spanning worden voorzien:

1. Controleer de voedingsspanning.
Controleer de regelspanning.
De voltages worden gespecificeerd op de bedradingschema's van deze apparatuur.
2. Controleer of het bewakingssysteem geactiveerd is, bijv. bescherming tegen oververhitting. (PT100 of thermokoppelsensor bevestigd aan een elementmantel.)

7.2 De verwarmers uitschakelen:

Haal de voeding van de verwarmers voordat u de stroom uitschakelt.

8.0 Gebruiksaanwijzing

Controleer voor de eerste keer opstarten van de verwarmers of:

1. De verwarmers correct geïnstalleerd is en indien nodig moet een lektest worden uitgevoerd.
2. De elektrische aansluiting is uitgevoerd in overeenstemming met de relevante wet- en regelgeving.
3. De beschermende geleider (PE) is aangesloten en indien nodig of de externe aardeverbinding tussen behuizing en aarding tot stand gebracht, bijv. ter voorkoming van elektrostatische ontlading.
4. Bewakingssystemen zijn geactiveerd zoals flowbewaking en bescherming tegen oververhitting.
5. Het te verwarmen medium in overeenstemming is met het ontwerp van de verwarmers.

Bij de kabelingangen zijn temperaturen van meer dan 70°C niet toelaatbaar.
De minimale temperatuurclassificatie voor alle inkomende kabels is 70°C.

OPMERKING	<p>Voordat de verwarmers wordt ingeschakeld, controleert u of de geclassificeerde procesflow actief is.</p> <p>De gebruikte constructiematerialen zijn gekozen in overeenstemming met de gespecificeerde bedrijfsomstandigheden.</p> <p>Indien de verwarmers wordt gebruikt met andere media of temperaturen dan gespecificeerd, dan komt de garantie onmiddellijk te vervallen.</p>
------------------	--

9.0 Onderhoudsinstructies (interval van 1 jaar)

Het onderhoudsinterval van een jaar is alleen van toepassing als de verw warmer wordt geïnstalleerd in een droge en schone omgeving. Indien geïnstalleerd in een omgeving die niet aan deze eisen voldoet, moeten de onderhoudsintervallen mogelijk worden ingekort. De verantwoordelijke voor het onderhoud moet ervoor zorgen dat medewerkers volledig opgeleid zijn met betrekking tot de juiste werkprocedures en hierin worden gecontroleerd om hun veiligheid te garanderen.

1. Controleer de keramische isolatoren van de elementen op schade.
2. Controleer de isolatieweerstand van de verwarmingselementen. Sluit de weerstandsmeter aan op een aardingsbout en een van de fasen U1, V1 of W1. Als de gemeten waarde kleiner is dan 2 megaohm, moet elk verwarmingselement afzonderlijk worden gecontroleerd. De minimale waarde is 2 megaohm bij 1000 volt.
3. Alle oppervlakken schoonmaken.
4. Zoutkristallen, koolstof- of kalklagen moeten worden verwijderd van de mantel van de verwarmingselementen met een gereedschap dat niet van metaal is, maar bijv. van hout.
5. Controleer of de uiteinden goed aangesloten zijn op de klemmen of busbars. Aansluitingen van de verwarmingselementen moeten goed worden aangedraaid.
6. Controleer de werking van de ruimteverwarming in de aansluitkast (indien er één geïntegreerd is). De ruimteverwarming is voorzien van een geïntegreerde thermostaat in de aansluitkabel, die af fabriek ingesteld is op vorstbeschermende temperaturen. De ruimteverwarming is onderhoudsvrij. Als de verwarming niet werkt, moet deze worden vervangen.

OPMERKING	Als de isolatieweerstand veranderd is als gevolg van onjuiste of langdurige opslag, dan wordt aangeraden: a) Om de aansluitkast te openen in een droge omgeving en om de elementaansluitingen te drogen met een heteluchtblazer (opmerking: lucht < 80°C). b) Om de verw warmer in te schakelen met een lagere spanning totdat al het vocht verdampt is en de isolatieweerstand de gewenste waarde heeft bereikt.
------------------	---

9.1 Onderhoud en serviceplan

- Controleer of maak schoon
- Reserve-/Vervangingsonderdelen

Systeem	Onderdeel	Periodiek onderhoudsinterval			
		Wekelijks (eerste 4 weken)	Every 6 months	Every 12 months	Wekelijks (eerste 4 weken)
Hele	Visuele inspectie van de buitenkant	○			
	Vastdraaien van alle belangrijke bouten en moeren	○			
	Vervang de zak met droogmiddel tijdens de opslagperiode.		●		
	Binnen- en buitenkant schoonblazen met perslucht.		○		
Elektrisch systeem	Meting van de Ohmse waarden volgens testrecord. (max afwijking 10%)			○	
	Controleer de aansluitingen van de bedrading.			○	
	Meting van spanning op condensverwarming			○	
	Meting van de isolatieweerstand <3 MOhm @ 1000 VDC			○	

Opmerking:

Deze procedures worden beschouwd als normaal onderhoud en worden uitgevoerd op kosten van de eigenaar.

* Afhankelijk van de omgeving kan de inspectiefrequentie variëren.

10.0 Foutopsporing

Koppel alle voedingsbronnen los voorafgaand aan inspectie, onderhoud of reiniging. Indien de apparatuur is aangesloten, bestaat het gevaar van elektrische schokken.

Voor onderhoud waarbij onderdelen gerepareerd of vervangen moeten worden, neemt u onmiddellijk contact op met de fabriek voor verdere instructies. Hieronder worden alleen storingen vermeld die vallen binnen het bereik van normaal onderhoud. Als een probleem niet vermeld wordt of niet kan worden verholpen met de vermelde corrigerende maatregelen, neemt u onmiddellijk contact op met JEV I A/S.



Probleem	Mogelijke oorzaak	Mogelijke correctie
Storing verwarmer/weerstand	Losse busbar	Draai de defecte weerstandsbank vast.
Activering temperatuurschakelaar	Element verwarmer/weerstand doorgebrand	Koppel element los en gebruik reserve
Activering drukverschil	Oververhitting verwarmer/weerstand	Zorg dat luchtinlaat en -uitlaat vrij zijn van vreemde deeltjes of blokkeringen.

11.0 Instructies voor verwijdering

Apparatuur die elektrische componenten bevat, mag niet als huishoudelijk afval worden afgevoerd. Het moet apart worden ingezameld met ander elektrisch en elektronisch afval volgens de lokale wetgeving.

Turvallisuusohjeet

Tämän käyttöohjeen sisältämiä varoituksia ja ohjeita on noudatettava henkilöturvallisuuden varmistamiseksi ja aineellisten vahinkojen estämiseksi. Varoitukset ja ohjeet liittyvät henkilöturvallisuuteen:


 VAARA	Tarkoittaa, että asianmukaisten varotoimien laiminlyönti johtaa kuolemaan tai vakavaan henkilövammaan.
 VAROITUS	Sisältää varoituskolmion ja tarkoittaa, että asianmukaisten varotoimien laiminlyönti voi johtaa lievään henkilövammaan.
VARO	Ei sisällä varoituskolmiota ja tarkoittaa, että asianmukaisten varotoimien laiminlyönti voi johtaa aineellisiin vahinkoihin.
HUOMIO	Tarkoittaa, että annettujen tietojen laiminlyönti voi johtaa yllättävään lopputulokseen tai tilanteeseen.

Jos samanaikaisesti on voimassa useampia vaaraluokituksia, suurimman vaaran varoitus pätee. Varoituskolmion sisältävä henkilövammasta varoitettava ilmoitus saattaa sisältää myös aineellisiin vahinkoihin liittyvän varoituksen.

Pätevä henkilöstö

Tässä asiakirjassa ja etenkin sen varoituksissa ja turvallisuusohjeissa kuvattua tuotetta saa käyttää vain tehtäväkohtaisen ohjeistuksen mukaisesti tehtäväänsä pätevä henkilöstö. Pätevään henkilöstöön kuuluvat ne, jotka koulutuksensa ja kokemuksensa perusteella osaavat tunnistaa riskit ja välttää mahdolliset vaaratilanteet käyttäessään näitä tuotteita/järjestelmiä.

JEVI-tuotteiden asianmukainen käyttö

 VAROITUS	Tuotteen turvallinen ja ongelmaton toiminta edellyttää, että sen kuljetus, varastointi, asennus, kokoaminen, käyttöönotto, käyttö ja huolto suoritetaan oikein. Sallittuja ympäristöolosuhteita on noudatettava. Noudata asianmukaisissa asiakirjoissa annettuja tietoja.
---	---

Vastuuvapauslauseke

JEVI A/S ei vastaa mistään asiakkaan tekemistä lisäyksistä, jotka voivat vaikuttaa tuotteeseemme. Takuu ei kata asiakkaan tekemiä muutoksia tai lisäyksiä.

TÄRKEÄÄ: Nämä ohjeet on luettava läpi huolellisesti ennen asennusta ja käyttöä. Kaikkia varoituksia ja ennakoivia varotoimia on noudatettava sekä henkilöturvallisuuden että laitteiden oikean toiminnan ja pitkän käyttöiän takaamiseksi. Näiden ohjeiden laiminlyönti voi johtaa laitevikaan ja/tai vakavaan henkilövammaan.

HUOM.! TÄMÄ IOM-KÄYTTÖOHJE ON VAKIOASIAKIRJA. SE EI SISÄLLÄ TILAUSKOHTAISIA TIETOJA.

Englanninkielinen käyttöohje on JEVIn vakioversio.

Lyhenneluettelo

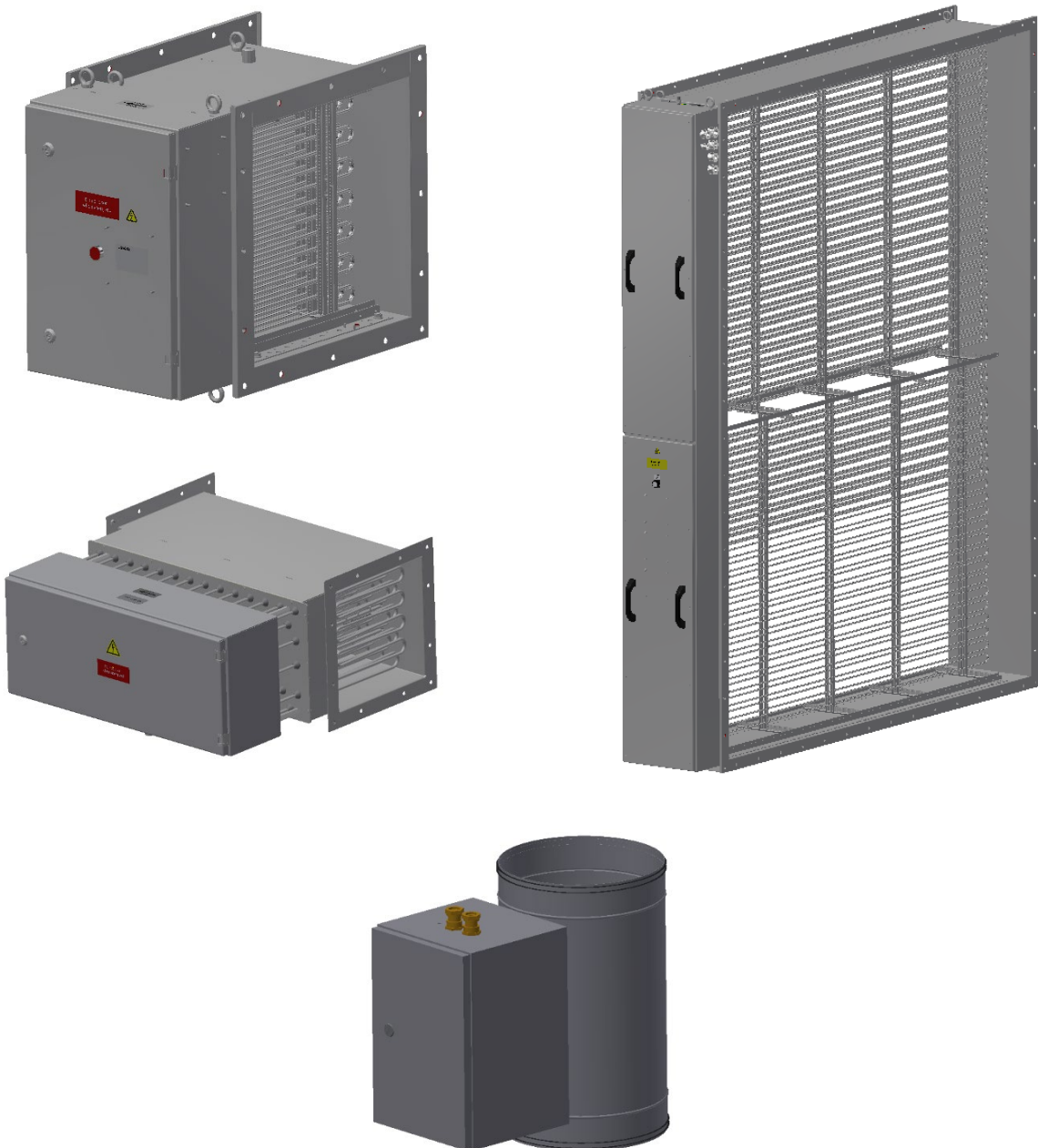
ACBR	Ilmajäähdytteinen jarruvastus (Air Cooled Braking Resistor)
CoG	Painopiste (Centre of Gravity)
EF	Sähkötoiminen kanavalämmitin
GA	Mittapiirustus (General Arrangement)
LVI	Lämpö, vesi ja ilmastointi (Heating, ventilation, Air Conditioning)
IOM	Asennus-, käyttö- ja huolto-ohje (Installation, Operating and Maintenance Manual)
JB	Liitinkotelo (Junction Box)
VLE	Lämpöpuhallin, johon on integroitu lämpötilansäätö
VLEx	Lämpöpuhallin vaarallisiin tiloihin
WCBR	Vesijäähdytteinen jarruvastus (Water Cooled Braking Resistor)
TSH	Lämpösuojakytkin "Temperature Switch High"
TSHH	Lämpösuojakytkin "Temperature Switch High High"

1.0 Johdanto

Tätä käyttöohjetta voidaan soveltaa erityyppisissä LVI-ratkaisuissa.

Tämän asiakirjan käyttötarkoitus on esitellä lukijalle asennus-, käyttö- ja huoltoprosessit ja etenkin turvallisuuteen liittyvät yleiset varotoimet, jotka eivät välttämättä liity tiettyyn osaan tai toimenpiteeseen ja jota ei välttämättä mainita julkaisun muussa sisällössä. Nämä ennakoivat varotoimet on sisäistettävä kaikilta osin, ja niitä on noudatettava käytön ja huollon kaikissa vaiheissa.

Tässä käyttöohjeessa annetut kuvaukset ovat yleisluontoisia, eivätkä ne koske tiettyä tilausta. Kuvissa voi näkyä muita kuin asiakkaan tilaamia laitteita ja lisävarusteita.



2.0 Tuotteen kuvaus

Kanavalämmitin on tarkoitettu ilman lämmittämiseen.

Tutustu käyttötarkoitukseen suunnitellun tuotteen mittapiirustukseen:

Piirustuksen nro:	Katso laitteen mittapiirustuksesta (GA)
Virtalähde:	Katso sähkökaaviosta
Jännite:	Katso sähkökaaviosta
Viitenumero:	Sama kuin tilausnumero ja tuotenumero

Lämmitin koostuu kotelosta, joka sisältää

- sähkötoimiset lämmitysvastukset
- johdekiskoon asennetut liittimet ja/tai kuparikiskot
- käsikäyttöisellä katkaisijalla varustetun suojalaitteen (TSHH) ja
- automaattisella katkaisijalla varustetun suojalaitteen (TSH)

Jos ilmavirta katkeaa, TSH ja TSHH kytkevät lämmittimen pois päältä.

Vaihtoehtoisesti liitinkoteloon on asennettu alla mainittu laite:

- Lämpötila-anturi
- Kosteuden tiivistymistä estävä lämmitin

Lämmittimen toimitussisältöön saattavat kuulua seuraavat lisävarusteet:

- termostaatti
- virtauskytkin ja
- ulkoinen ohjausjärjestelmä

Katso sähkökaaviosta.

3.0 Pakkaus

Kaikki pakkausmateriaalit täyttävät yksittäisen tilauksen tai sopimuksen erityisvaatimukset sekä kohdemaan lainsäädännön määräykset.

3.1 Pakkaustyyppin valinta

Pakkaustyyppi ja erityiset suojamateriaalit valitaan laitteen ominaisuuksien ja pakattavan materiaalin, sen käsittelyvaatimusten ja valitun kuljetustavan perusteella. Pakkaus antaa sekä mekaanisen suojan että suojaa ympäristöolosuhteilta.

3.2 Puuosien käsittely

Kaikki pakkauksissa (esim. puisissa kuormalavoissa) käytetyt kiinteät puuosat on käsitelty (lämpökäsittely tai pintakäsittelyaineet) kansainvälisen standardin ISPM 15 (IPPC) uusimman päivitetyn version mukaisesti.

Koska nämä määräykset vaihtelevat maakohtaisesti, prosessin on täytettävä lopullisen kohdemaan vaatimukset.

3.3 Kuormalavat

Laitte on pakattu kuormalavoille, jotka kestävät laitteen kuorman kuljetuksen ja varastoinnin aikana. Kuormalavojen dynaaminen kuormitus on mitoitettu kestämaan niiden päälle kuormattava paino.

Kuormalavan yläpinnan on oltava tasainen, mikäli se on mahdollista.

Kuorma on kiinnitettävä kuormalavalle niin, että se on kaikilta puoliltaan tiiviisti kuormalavaa vasten ja sidottu kaikilta puolelta teräsvanteilla tai synteettisillä hihnoilla. Kaikki laitteet ja materiaalit pysyvät paikoillaan pulttien, sinkilöiden, tukipalkkien jne. avulla.

Helposti särkyvät, vaurioituvat sekä irralliset osat on kiinnitetty napakasti laitteeseen ja erillispakattu asianmukaisesti.

3.4 Käsittely

Laitetta ei saa missään tapauksessa käyttää alustana, jolta nousee sen yläpuolella oleville asennus- ja kokoonpanoalueille. Tätä varten paikalle on asennettava asianmukainen työteline. Laitetta ei saa käyttää tukena.

3.5 Painopiste

Suuriin ja painaviin laitteisiin on tarvittaessa lisätty painopisteen merkintä "Centre of Gravity (COG)".

3.6 Laitteen etiketit ja tunnisteet / tunnistetiedot

Jos erityisiä tunnistetietoja ei tarvita (katso tekniset erittelyt tilauksesta), laitteessa on JEVI-vakioetiketit.

Tilauksesta on saatavana laitekohtainen etiketti, joka vastaa lopullista pakkausluettelo/kuormakirjaa.

3.7 Toimitusmerkinnät / -etiketit

Kaikissa pakkauksissa on pakkausluettelon/kuormakirjan tietojen mukaiset merkinnät tai etiketit.

4.0 Kuljetus

Tuote on pakattu sopimuksen mukaisesti. Pakkauksessa on painopisteen merkintä "Centre of Gravity (COG)", jos asiakas on tilannut sen.

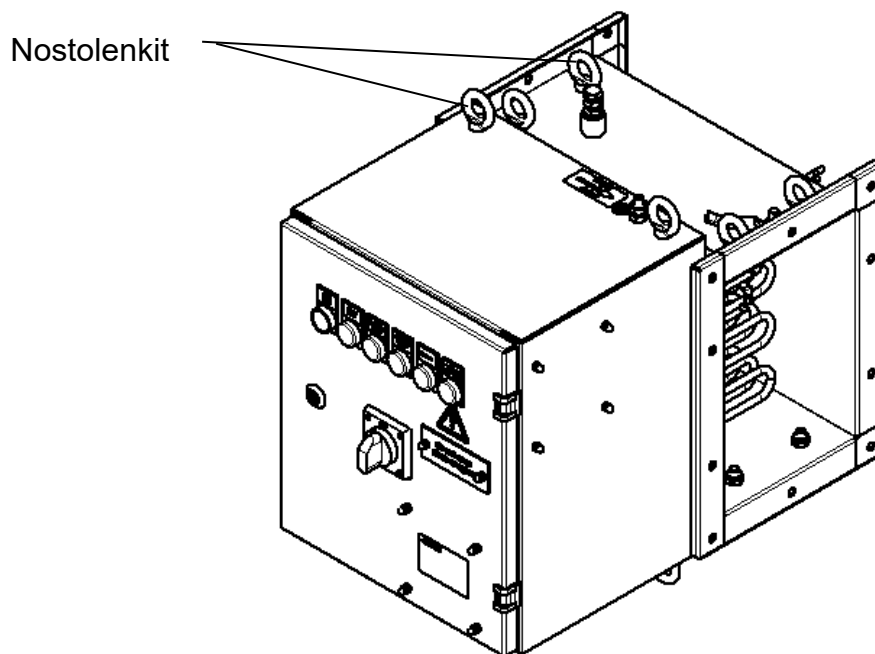
Tuote on pakattu kuormalavoille. Ammattihenkilön on helppo irrottaa pakkaus joko haarukkatrukilla tai nosturilla.

- Katso nostolenkkien paikat laitteen mittapiirustuksesta (GA)
- Katso paino laitteen mittapiirustuksesta (GA) tai tyyppikilvestä
- Jos painopisteen merkintä "Centre of Gravity (COG)" on tilattu, katso sen paikka laitteen mittapiirustuksesta (GA)

VARO	Laitetta <u>EI SAA</u> nostaa lämmitysvastuksista. Muutoin ne vaurioituvat
-------------	--

4.1 LVI-laite

Kaikissa > 25 kg painavissa lämmittimissä ja sisäosissa on valmiina nostolaitteet.



5.0 Varastointi ja konservointi

Tässä luvussa määritellään laitteen käsittely- ja konservointiohjeet toimituspäivästä laitteen asennukseen ja käyttöönottoon saakka.

Asennus/kokoonpano on suoritettava seuraavissa olosuhteissa.

VARO	Laitetta on varastoitava ja säilytettävä ennen asennusta kuivassa tilassa, jonka suhteellinen kosteus on <60 % ja lämpötila >15 °C.
VARO	Laita liitinkoteloihin ja koteloiden sisälle (jos on) kuivausainepussi, ja vaihda se 6 kuukauden välein. Pidä kirjaa vaihtoajoista.
VARO	Kosteuden tiivistymistä estävän lämmittimen (jos sellaista käytetään) on oltava aina virta päälle kytkettynä ja liitettynä.

5.1 Konservointi kuljetuksen ajaksi ja asennusta edeltäväksi ajaksi

Pakkaukset antavat sekä mekaanisen suojan että suojaavat ympäristöolosuhteilta. Jos laitetta aiotaan käyttää ulkona, se on suojattu muovikalvoon, joka suojaa sitä haitalliselta metallipölyltä varastoinnin aikana.

Kaikki aukot, kuten kaapeliviennit, on suljettu asianmukaisesti.

Pakkauksia ei saa avata, vaan kaikkien pakkausten on oltava tiiviisti suljettu kuljetuksen aikana.

Pakkaukset saa avata vasta, kun laite on otettu varastosta ja kuljetettu asennuspaikkaan tai kun laite aiotaan liittää kosteuden tiivistymistä estävään lämmittimeen, jonka jälkeen pakkaus on suljettava uudestaan. Varastoinnin aikainen konservointi ei päde siitä hetkestä alkaen, kun pakkausta on avattu.

Pakkaukset on tarkastettava heti, kun ne otetaan vastaan varastolla ja säännöllisin väliajoin kerran kuukaudessa varastointijakson aikana. Tutki, näkyykö ulkoisia vaurioita. Kaikki näkyvät vauriot, jotka voivat aiheuttaa muutoksia pakkaussisältöön tai konservointiin, on dokumentoitava ja niistä on ilmoitettava välittömästi. Tässä tapauksessa on otettava heti yhteyttä toimittajaan ja pyydettyä lisätietoja.

5.2 Asennuksen/kokoonpanon aikainen konservointi

Tuotteen saa poistaa pakkauksesta vasta, kun sen asennus on ajankohtaista tai kun se aiotaan liittää kosteuden tiivistymistä estävään lämmittimeen. Suosittelemme pitämään pakkauksen ehjänä, kun tuotetta kuljetetaan varastosta asennuspaikalle.

Tarkasta kussakin pakkauksessa olevat laitteet ja tutki niiden kunto ja mahdolliset vauriot heti, kun pakkaus on avattu. Dokumentoi vauriot ja ilmoita niistä välittömästi. Tässä tapauksessa on otettava heti yhteyttä toimittajaan ja pyydettyä lisätietoja.

Kun laite on purettu pakkauksesta, se on asennettava ja käsiteltävä laitteen toimitussisältöön kuuluvien asiakirjojen ohjeiden mukaisesti.

Laitetakuu ei kata huonosta työn laadusta tai asennusohjeiden laiminlyönnistä johtuvia vaurioita.

Jos laite asennetaan paikkaan, jossa suoritetaan sellaisia rakennustöitä, joista aiheutuu ilmansaasteita tai muita haittatekijöitä, laite on suojattava asianmukaisesti. Laitetta ei saa missään tapauksessa asettaa paikkaan, jonka lähellä suoritetaan esimerkiksi hionta-, hitsaus-, maalaus-, tulensuoja- tai suihkutustöitä, jos laitetta ei suojata tarvittavilla ennakoivilla varotoimilla.

Kun kaapeliliitännät on tehty, koteloon on asetettava uusi, käyttämätön kuivausainepussi. Kuivausainepussi on vaihdettava 6 kuukauden välein tai kunnes laitteen käyttöönotto on suoritettu.

Kaikki aukot, kuten kaapeliviennit, on suljettava asianmukaisesti siihen saakka, kunnes kaapelit tai putket asennetaan.

Pidä laite puhtaana asennuksen aikana. Puhdista kaapelin asennuksesta syntyvä lika heti. Varmista, että liitäntäkoteloiden sisälle ei jää pientäkään palaa johtavaa ainesta.

Laitetta ei saa missään tapauksessa käyttää alustana, jolta nousee sen yläpuolella oleville asennus- ja kokoonpanoalueille. Tätä varten paikalle on asennettava asianmukainen työteline. Laitetta ei saa käyttää tukena.

Laite on tarkastettava huolellisesti kerran viikossa asennuksen aikana. Tutki, onko siinä ulkoisia vaurioita, onko se puhdas ja onko se kunnossa sisäpuolelta. Jos näkyviä vaurioita tai muita haittatekijöitä ilmenee, ne on dokumentoitava ja niistä on ilmoitettava välittömästi. Tässä tapauksessa on otettava heti yhteyttä toimittajaan ja pyydettyä lisätietoja.

Kun asennustyöt on suoritettu loppuun, laitteen kunto on tarkastettava. Näkyvät vauriot on dokumentoitava ja niistä on ilmoitettava välittömästi. Tässä tapauksessa on otettava heti yhteyttä toimittajaan ja pyydettyä lisätietoja.

VARO	Laitteeseen ei missään tapauksessa saa päästä likaa, sillä se voi tukkia paluu- tai ylivuotoputket.
-------------	---

5.3 Konservointimääritykset ja -raportti (mallipohja):

KONSERVOINTIMÄÄRITYKSET JA -RAPORTTI								
Raportin nro:		Tunnistenumero:		Kuvaus:				Raportin sivu 1/1
Toimenpiteen nro:	Väli (kk)	Konservointitoimenpiteen kuvaus	Suosittelut konservointiaine	Ensimmäinen Konservointi	Pvm/allekirj. Konservoitu (2)	Pvm/allekirj. Konservoitu (3)	Pvm/allekirj. Konservoitu (4)	Pvm/allekirj. Konservoitu (5)
1	1	Tarkasta, että suojarakenteessa ei ole vaurioita.						
2	6	Vaihda liitinkoteloissa oleva kuivausainepussi.						
3	1	Tarkasta varastointiolosuhteet. Suhteellinen kosteus < = 60 %, lämpötila > = 15 °C						
4	12	Jos varastointiaika on yli vuoden pakkauspäivämäärästä, laitetoimittajalta on pyydettävä ohjeet kuivausainepussin uusimiseen.						
5	12	Tarkasta maalipinta.						
6	12	Tarkasta, että laitteessa ei ole näkyviä vaurioita.						
7	12	Varmista, että laitteen yleinen kunto on hyvä.						
8	12	Kaikki aukot, kuten kaapeliviennit, on suljettu asianmukaisesti. Myös liitinkotelot on suljettu.						
9	12	Kaikki irto-osat / irrotetut osat on konservoitu, varastoitu ja merkitty.						
10	6	Varmista, että mistään ei vuoda vettä tai konservointiainetta ja että missään ei ole kosteutta.						
11	6	Laitteen kosteuden tiivistymistä estävässä lämmittimessä on oltava aina virta ja sen on oltava aina liitettynä laitteeseen.						
Muistiinpanoja:								
Suorittanut: Pvm/allekirj.:				Hyväksynyt: Pvm/allekirj.:				

Huom.: Nämä toimenpiteet kuuluvat tavalliseen huoltoon ja suoritetaan laitteen omistajan kustannuksella.

* Ympäristö saattaa vaikuttaa tarkastusvälien tiheyteen.

6.0 Asennusohjeet

6.1 Yleistä

Käyttäjän vastuulla on varmistaa työtehtävien edellyttämä henkilöstön kattava koulutus ja valvonta niin, että työturvallisuus taataan. Laitteiston turvallisuudesta on huolehdittava. Varmista, että laite asennetaan oikein sopivaan paikkaan, ja että asennuksen suorittaa teknisesti pätevä henkilöstö.

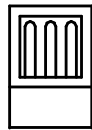
Asennuksen on vastattava standardien EN/IEC 60335-1 ja EN/IEC 60335-30 vaatimuksia.

6.2 Lämmittimen asennus

Ennen kuin purat laitteen pakkauksesta varmista, että kaikki tuotteet on toimitettu ja että kaikki laatikot/pakkaukset ovat hyvässä kunnossa ja vaurioitumattomia. Kaikista vaurioista on ilmoitettava työmaapäällikölle ja sen jälkeen JEVI A/S:lle.

Kun pakkausmateriaalit on poistettu, tarkasta kaikki tuotteet ja tutki, onko niissä vaurioita. Jos vaurioita on, ilmoita niistä työmaapäällikölle ja sen jälkeen JEVI A/S:lle.

Asennuksessa on käytettävä kiinnitys- ja tiivistemateriaaleja, jotka soveltuvat lämmitettävälle väliaineelle ja esiintyville lämpötiloille. Varmista kiinnityskohtien tarkat tiedot ja merkinnät mittapiirustuksesta (GA).




6. Avaa liitinkotelo.

7. Liitä virtakaapelit liittimiin tai johdekiskoon sähkökaavion ohjeiden mukaisesti. Kytke maadoitukset maattolevyyn.

8. Kytke suojajohdin maadoitusliittimeen.

9. Noudata kaapeliläpivientien toimittajan ohjeita, jos ne ovat mukana ja/tai saatavilla.

10. Sulje kansi.

	VAROITUS	Liitinkotelo ei saa avata, kun virta on kytketty päälle.
	HUOMIO	<ul style="list-style-type: none">• Yksikkö on säilytettävä kuivassa tilassa, kun sitä ei käytetä. Suhteellinen kosteus <60 %, lämpötila >15 °C.• Jos tilassa on lämmitin, liitä se ja kytke se päälle.• Irrotetun liitinkotelon sisälle kannattaa laittaa kuivausainepussi.

6.3 Automaattisella katkaisijalla varustetun TSH-lämpösuojakytkimen (jos varusteena) säätö

TSH on säädetty 80 prosenttiin maksimiasetuksesta.

Jos säätö on tarpeen, valitse lämmittimeen suurin kuormitusvirta ja pienin ilmavirta erittelyn mukaisesti.

6. Aseta TSH maksimilämpötilaan.
7. Odota, että ilmavirta ja lämpötila tasaantuvat.
8. Säädä TSH:n lämpötila-asteikkoa sovelluksella alaspäin 10 °C:n portain. Odota, kytkeytykö TSH pois päältä 10 minuutin ajaksi. Säädä uudelleen 10 °C ja jatka samalla tavalla, kunnes TSH kytkee lämmittimen pois päältä.
9. Säädä TSH:n lämpötila-asteikkoa 10 °C ylöspäin.
10. Testaa lämmitin täydellä kuormalla ja kytke ilmavirta pois päältä. TSH:n on kytkettävä lämmitin pois päältä ennen kuin lämmittimen maksimilämpötila on saavutettu. Mekaanista TSHH-kytkintä ei voida säätää.

6.4 TSH/TSHH-lämpösuojakytkimen testausmenetelmä

TSH/TSHH on testattu JEVIn tehtaalla.

Jos käyttöönottoprosessi edellyttää TSH/TSHH-lämpösuojakytkimen lisätestausta, suosittelemme tätä testausmenetelmää:

3. Aseta lämpötila-anturi TSH/TSHH:n lähelle valvomaan lämpötilaa.
4. Lämmitä anturit asetettuun lämpötilaan kuumailmapuhaltimella.

7.0 Käynnistys

Poista kuivausainepussi liitinkotelosta ennen käynnistämistä.

Ennen lämmittimen ensimmäistä käynnistystä on tarkastettava seuraavat:

7. Lämmitin on asennettu oikein mittapiirustuksen (GA) kuvauksen mukaisesti ja ilmapuototesti on suoritettu tarvittaessa.
8. Suojajohdin (PE) on kytketty ja tarvittaessa on tehty kotelon ja maan välinen ulkoinen kytkentä, jolla estetään esim. sähköstaattiset purkaukset.
9. Maadoitusliitäntä on tehty ja varmistettu riittävin toimenpitein.
10. Sähkökytkennät on tehty asianmukaisten määräysten ja kytkentäkaavion mukaisesti.
11. Lämmitin on asennettu oikein ja kaikki vaarnat ja mutterit on kiristetty oikein.
12. Ohjauspaneelin ja lämmittimen väliset sähkökytkennät on asennettu oikein, esim. virtakaapeli, lämpötila-anturi.

7.1 Ennen lämmitysvastusten virran kytkemistä:

3. Tarkasta syöttöjännite.
Tarkasta ohjausjännite.
Jännitteet on annettu tämän laitteen kytkentäkaavioissa.
4. Tarkasta, onko valvontalaite toiminnassa, esim. ylikuumenemisen suoja.
(lämmitysvastuksen suojaan kytketty PT100 tai termoparianturi).

7.2 Lämmittimen virran kytkeminen pois päältä

Kytke lämmittimen virta pois päältä ennen kuin kytket virtaaman pois päältä.

8.0 Käyttöohjeet

Tarkasta seuraavat ennen lämmittimen ensimmäistä käynnistyskertaa:

6. Lämmitin on asennettu oikein ja vuototesti on suoritettu tarvittaessa.
7. Sähkökytkennät on tehty asianmukaisten määräysten mukaisesti.
8. Suojajohdin (PE) on kytketty ja tarvittaessa on tehty kotelon ja maan välinen ulkoinen maattokytkenä, jolla estetään esim. sähköstaattiset purkaukset.
9. Valvontajärjestelmät on kytketty päälle, esim. virtaaman valvonta ja ylikuumenemisen suoja.
10. Lämmitettävä väliaine soveltuu lämmittimen mallille.

Kaapeliläpivientien lämpötila ei saa ylittää 70 °C.
Kaikkien tulokaapelien minimilämpötila on 70 °C.


HUOMIO	<p>Ennen kuin kytket lämmittimen päälle tarkasta, että prosessivirtaama vastaa nimellisarvoa. Rakennusmateriaalit on valittu erittelyn mukaisten käyttöolosuhteiden mukaan. Jos lämmitintä käytetään muulla väliaineella tai erittelyn vastaisissa lämpötiloissa, takuu raukeaa välittömästi.</p>
---------------	---

9.0 Huolto-ohjeet

Yhden vuoden huoltoväli koskee vain lämmitintä, joka on asennettu kuivaan ja puhtaaseen tilaan. Jos se on asennettu suositusten vastaiseen ympäristöön, huoltovälejä on tarvittaessa lyhennettävä.

Huoltovastaavan vastuulla on varmistaa työtehtävien edellyttämä henkilöstön kattava koulutus ja valvonta niin, että työturvallisuus taataan.

7. Tarkasta, onko vastusten keraamisissa eristeissä vaurioita.
8. Tarkasta lämmitys vastausten eristysvastus. Kytke eristysvastusmittari maadoituspulttiin ja yhteen seuraavista vaiheista: U1, V1 tai W1. Jos mitattu arvo on alle 2 MΩ, kukin lämmitys vastus on tarkastettava erikseen. Minimiarvo on 2 MΩ, kun jännite on 1 000 V.
9. Puhdista kaikki pinnat.
10. Lämmitys vastusten suojassa olevat suolakiteet ja hiili- tai kalsiumjäämät on irrotettava työkalulla, joka ei ole metallia vaan esim. puuta.
11. Varmista, että liitännät on kytketty napakasti liittimiin tai johdekiskoihin. Lämmitys vastusten liitännät on kiristettävä oikein.
12. Tarkista, toimiiko liitinkotelossa oleva tilan lämmitin (jos sellainen on asennettu). Tilan lämmittimeen on integroitu termostaatti, joka on liitoskaapelin sisällä ja jonka tehdasasetuksena on suojata alle nollan lämpötiloilta. Tilan lämmitintä ei voi huoltaa. Jos tilan lämmitin ei toimi, se on vaihdettava uuteen.

HUOMIO	<p>Jos eristysvastus on muuttunut vääränlaisen tai liian pitkän varastoinnin takia, suosittelemme seuraavaa:</p> <p>a) Avaa liitinkotelo kuivassa paikassa ja kuivaa vastusliitännät kuumailmapuhaltimella. (Huom.: ilma < 80 °C).</p> <p>b) Käytä lämmitintä matalammalla jännitteellä, kunnes kosteus on haihtunut kokonaan ja eristysvastus on tavoitearvossaan.</p>
 VAROITUS	<p>Laitetta on käsiteltävä standardin DS/EN 50110-1:2013 (sähköturvallisuus) vaatimusten mukaisesti.</p>

9.1 Huolto- ja kunnossapitosuunnitelma

- Tarkasta tai puhdista
● Varaosat/vaihto-osat

Järjestelmä	Kohde	Säännöllinen tarkastusväli			
		Viikoittain (4 ens. viikkoa)	6 kk välein	12 kk välein	36 kk välein
Kaikki	Silmämääräinen tarkastus ulkopuolelta	○			
	Kaikkien tärkeimpien pulttien ja mutterien kiristys	○			
	Kuivausainepussin vaihto varastoinnin aikana.		●		
	Sisä- ja ulkopuolen paineilmapuhdistus		○		
Sähköjärjestelmä	Ohmimittaus testiraportin mukaan (poikkeama enint. 10 %)			○	
	Johdotusten tarkastus			○	
	Kosteuden tiivistymistä estävän lämmittimen jännitemittaus			○	
	Eristysvastuksen mittaus <3 m ohmia, kun jännite on 1 000 V DC			○	

Huom.: Nämä toimenpiteet kuuluvat tavalliseen huoltoon ja suoritetaan laitteen omistajan kustannuksella.

* Ympäristö saattaa vaikuttaa tarkastusvälien tiheyteen.

10.0 Vianetsintä

Kytke irti kaikki virtalähteet ennen kaikkia tarkastus-, huolto- ja puhdistustöitä. Sähköiskun vaara, kun laite on kytkettynä.

Jos kunnossapitotoimien yhteydessä on korjattava tai vaihdettava komponentteja, pyydä lisäohjeet heti tehtaalta. Seuraava luettelo sisältää vain tavalliseen huoltoon liittyvät mahdolliset ongelmatilanteet. Jos ongelmatilanne ei ole luettelossa tai ei korjaannu annetuilla korjaustoimenpiteillä, kysy heti ohjeita JEVİ A/S:ltä.

Ongelmatilanne	Mahdollinen syy	Kokeile tätä
Lämmittimen/vastuksen vika	Löystynyt johdekisko	Vastus on löystynyt
	Lämmitin/vastus palanut	Irrota osa ja vaihda varaosaan
Lämpötilakytkin on lauennut	Lämmitin/vastus on ylikuumentunut	Varmista, että ilmanotossa ja ilmanpoistossa ei ole vierasesineitä tai tukosta. Tarkasta tuulettimen toiminta
Paine-erokytkin on lauennut	Kytkenät ovat löystyneet	Tarkasta kaikki kytkennät
	Ilmanotossa tukos	Poista ja puhdista

11.0 Käytöstäpoisto-ohjeet

Sähkökomponentteja sisältäviä laitteita ei saa hävittää kotitalousjätteen mukana. Lajittele ne erikseen ja toimita sähkö- ja elektroniikkajätteen keräyspisteeseen paikallisen lainsäädännön mukaisesti.

JEVI A/S
Godthåbsvej 7
DK-7100 Vejle
T: +45 75 83 02 11
jevi@jevi.dk
www.jevi.com

